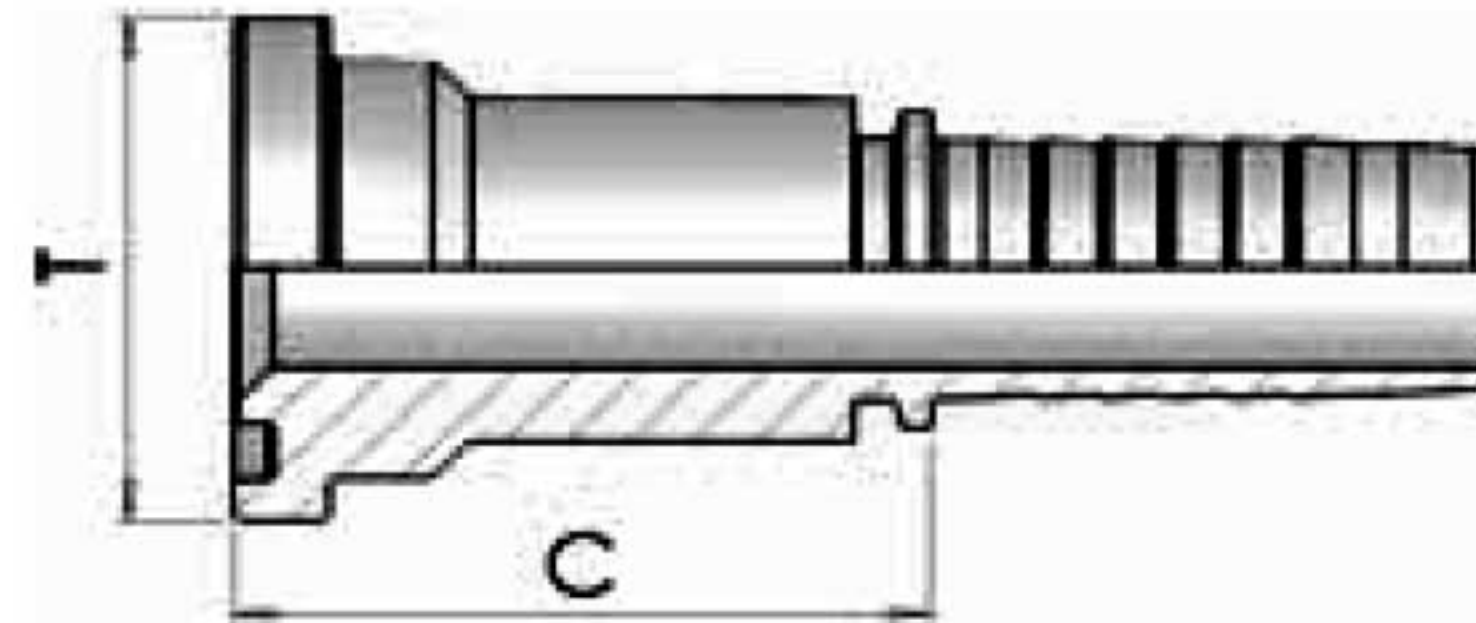


SFS

Straight SAE Flange 6000 PSI



One Piece

ID	part number	hose I.D.		Dimension			
		in	mm	dash size	flangia		cut-off C
					T	mm	
13421	1310-08-08	1/2	12,7	08	1/2	31.7	46
13422	1310-08-12	1/2	12,7	08	3/4	41.3	53
55824	1310-10-08	5/8	15,9	10	1/2	31.7	46
55825	1310-10-12	5/8	15,9	10	3/4	41.3	53
55826	1310-10-16	5/8	15,9	10	1	47.6	59
13425	1310-12-12	3/4	19	12	3/4	41.3	54
38467	1310-12-16	3/4	19	12	1	47.6	60
55827	1310-16-12	1	25,4	16	3/4	41.3	55
38468	1310-16-16	1	25,4	16	1	47.6	61
13876	1310-16-20	1	25,4	16	1.1/4	54	68
9695	1310-20-20	1.1/4	31,8	20	1.1/4	54	70
38469	1310-20-24	1.1/4	31,8	20	1.1/2	63.5	76
38470	1310-24-24	1.1/2	38,1	24	1.1/2	63.5	76
38471	1310-24-32	1.1/2	38,1	24	2	79.4	85
38472	1310-32-32	2	50,8	32	2	79.4	85