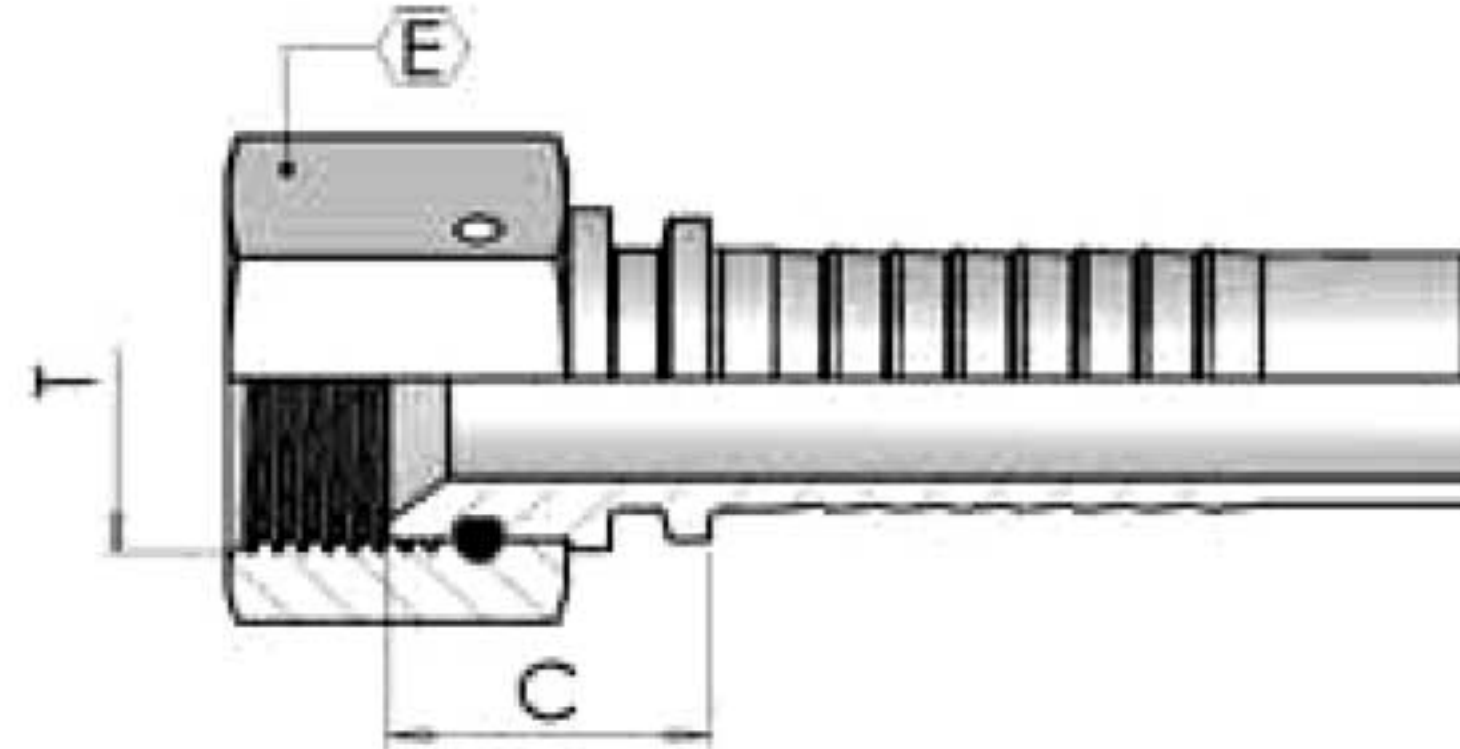


DKJ
JIC Female 74° cone Thrust Wire



ID	part number	hose I.D.		Dimension			
				dash size	thread	hex	cut-off
		in	mm		T	E	C
38716	0900M04-04	1/4	6,4	04	7/16-20	17	16
38717	0900M06-06	3/8	9,5	06	9/16-18	19	18
38718	0900M08-08	1/2	12,7	08	3/4-16	24	20
38719	0900M08-10	1/2	12,7	08	7/8-14	27	21
38720	0900M10-10	5/8	15,9	10	7/8-14	27	21
55994	0900M10-12	5/8	15,9	10	1.1/16-12	32	22
38721	0900M12-12	3/4	19	12	1.1/16-12	32	23
55995	0900M12-16	3/4	19	12	1.5/16-12	41	26
8448	0900M16-16	1	25,4	16	1.5/16-12	41	27