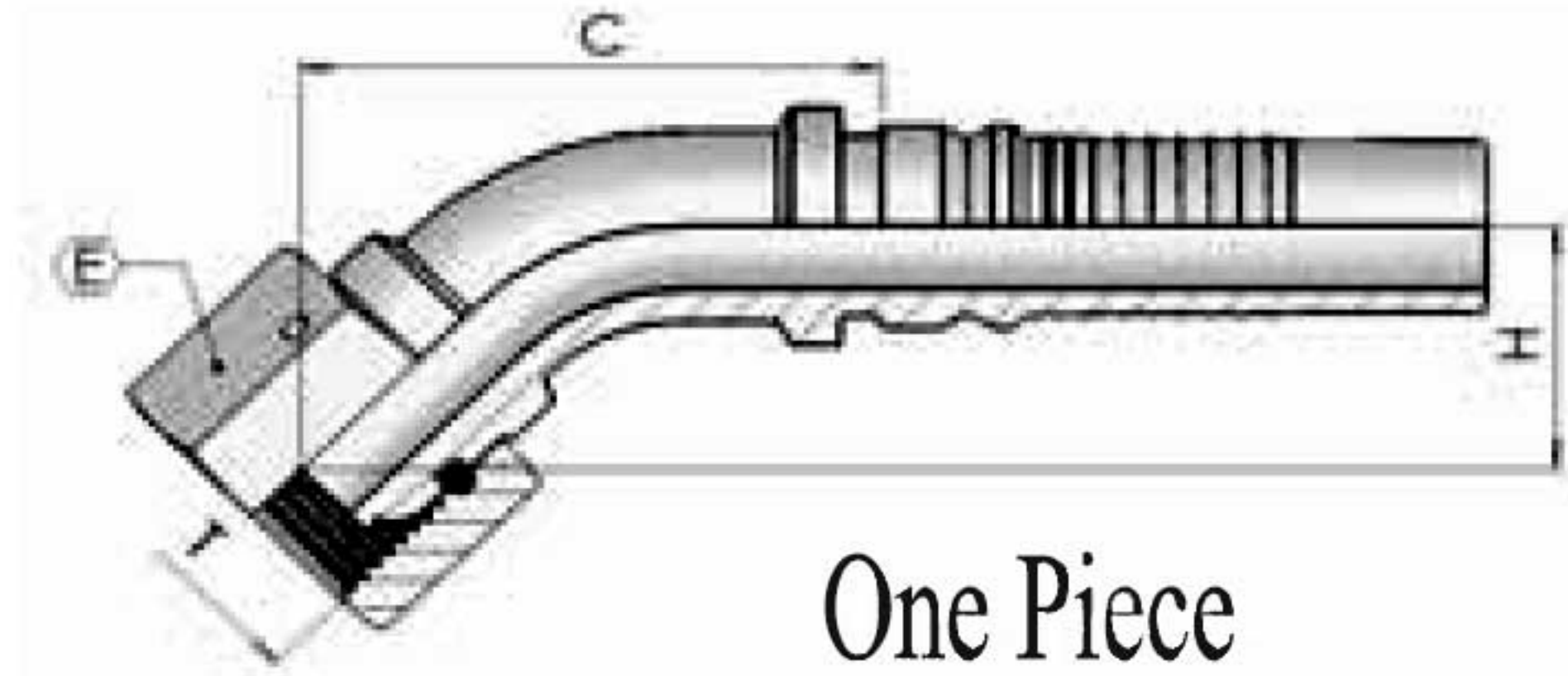


DKR 45°

BSP 45° Swept Elbow 60° cone
Thrust Wire



ID	part number	hose I.D.		Dimension				
				dash	thread	hex	drop	cut-off
		in	mm	size	T	E	H	C
38606	0250H12-12	3/4	19	12	3/4-14	32	28	84
38608	0250H16-16	1	25,4	16	1-11	38	38	112
18800	0250H20-20	1.1/4	31,8	20	1.1/4-11	50	41	137
38609	0250H24-24	1.1/2	38,1	24	1.1/2-11	55	54	166
38610	0250H32-32	2	50,8	32	2-11	70	70	195