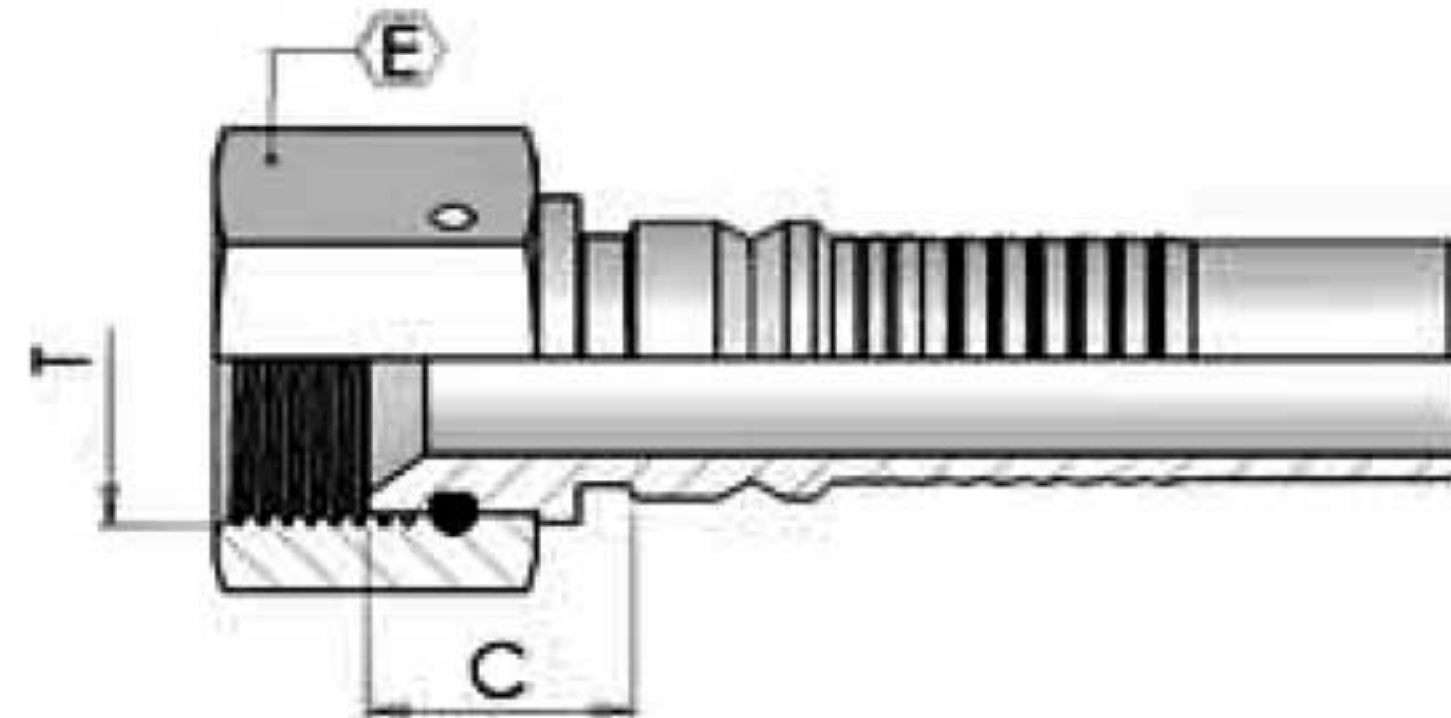


## DKJ

JIC Female 74° cone  
Thrust Wire



ID	part number	hose I.D.		Dimension			
		in	mm	dash size	thread	hex	cut-off
					T	E	C
38753	0900H12-12	3/4	19	12	1.1/16-12	32	19
56075	0900H12-16	3/4	19	12	1.5/16-12	41	22
38754	0900H16-16	1	25,4	16	1.5/16-12	41	23
56076	0900H20-16	1.1/4	31,8	20	1.5/16-12	41	24
38755	0900H20-20	1.1/4	31,8	20	1.5/8-12	50	26
38756	0900H24-24	1.1/2	38,1	24	1.7/8-12	55	29
38757	0900H32-32	2	50,8	32	2.1/2-12	70	30