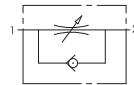


Carbon Steel

RF FLOW CONTROL



REGULAR
FLOW



RF G 1/2 CS

Type _____
RF flow control

Valves dimension of inch _____

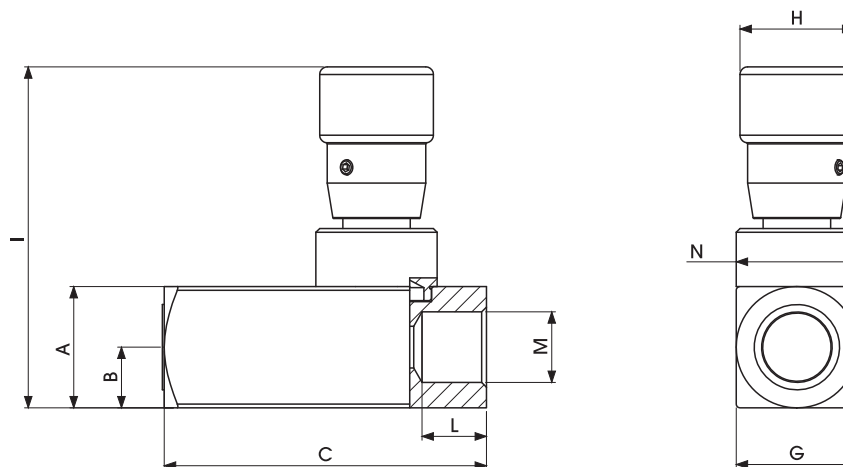
GAS	ANSI/ASME
DIN/ISO 228	B1.20.1 NPT
G 1/8	N 1/8
G 1/4	N 1/4
G 3/8	N 3/8
G 1/2	N 1/2
G 3/4	N 3/4
G 1" 1/4	N 1" 1/4
G 1" 1/2	N 1" 1/2
G 2"	N 2"

Material _____
CS Carbon steel

Specifications

- Type: check valve RF
- Body: square
- Material: 1,0737/1,4749
- Ball seats: from 1/4 to 2"
- Operating pressure: PN 350
- Temp range: -10°C to +100°C depending at material selected

"The company reserves the right to operate dimensional changes without prior notice".



RF DIN ISO 228 BSP

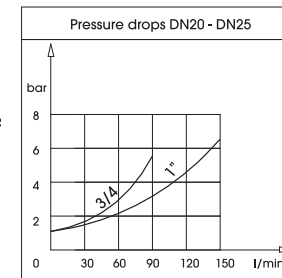
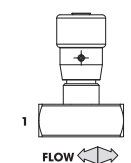
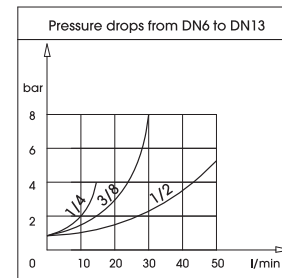
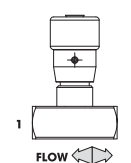
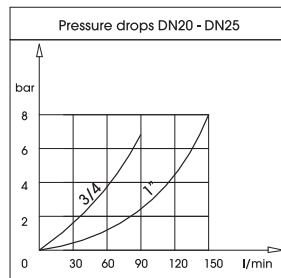
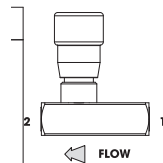
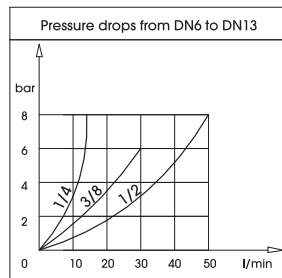
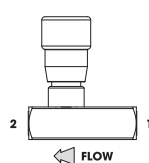
Standard

TYPE	PN	DN	MAX FLOW L/m	A	B	C	G	H	I	L	M	N	WEIGHT Kg	ITEM CODE
RF G 1/4	35 Mpa	6	15	25	12,5	66	25	30	75	15,5	G 1/4	M20X1	0,41	GF2GGT130110000
RF G 3/8	35 Mpa	10	30	25	12,5	77	25	30	75	15,5	G 3/8	M20X1	0,42	GF2GGT230110000
RF G 1/2	35 Mpa	13	50	30	15	91	30	33	81	17	G 1/2	M25X1.5	0,63	GF2GGT330110000
RF G 3/4	35 MPa	20	80	40	20	112,5	40	42	110	21	G 3/4	M25X1.5	1,52	GF2GGT430110000
RF G 1"	35 Mpa	25	150	45	22,5	141	45	42	115	24	G 1"	M35X1.5	2,1	GF2GGT530110000

RF ANSI/ASME B1.20.1 NPT

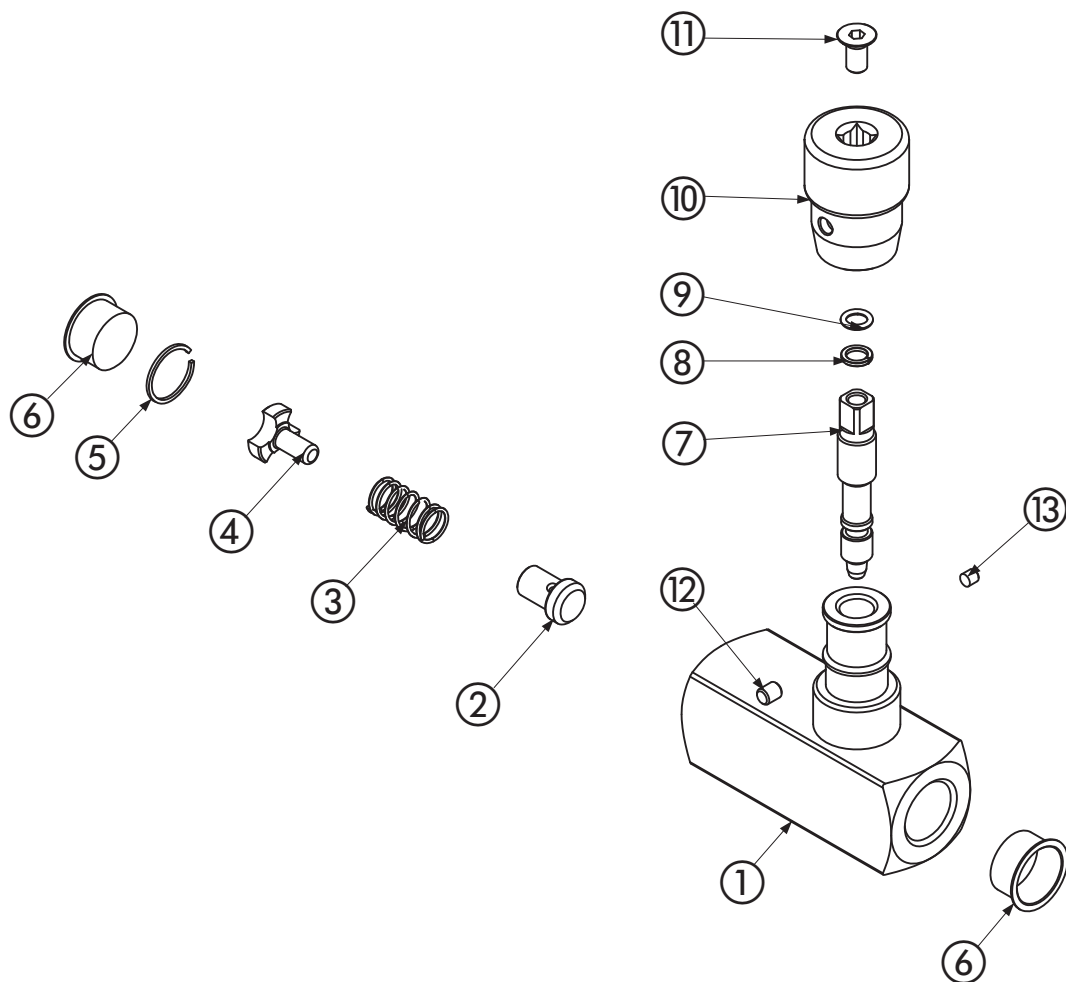
Standard

TYPE	PN	DN	MAX FLOW L/m	A	B	C	G	H	I	L	M	N	WEIGHT Kg	ITEM CODE
RF N 1/4	35 Mpa	6	15	25	12,5	66	25	30	75	15,5	N 1/4	M20X1	0,38	GF2NNT130110000
RF N 3/8	35 Mpa	10	30	25	12,5	77	25	30	75	15,5	N 3/8	M20X1	0,40	GF2NNT230110000
RF N 1/2	35 Mpa	13	50	30	15	91	30	33	81	17	N 1/2	M25X1.5	0,63	GF2NNT330110000
RF N 3/4	35 MPa	20	80	40	20	112,5	40	42	110	21	N 3/4	M25X1.5	1,45	GF2NNT430110000
RF N 1"	35 Mpa	25	150	45	22,5	141	45	42	115	24	N 1"	M35X1.5	2	GF2NNT530110000



"The company reserves the right to operate dimensional changes without prior notice".

RF FLOW CONTROL



Pos	Description	Material	Q.tà
1	Body	1,0737	1
2	Poppet	1,0737	1
3	Spring	1,0116	1
4	Spring ring	X 35 Cr Mo 17	1
5	Seeger	X 35 Cr Mo 17	1
6	Caps	PVC	2
7	Stem	1,0503	1
8	Stem o-ring	NBR	1
9	Stem ring	PTFE	1
10	Handle	ALLUMINIUM	1
11	Screw	DIN 7991 8.8	1
12	Spine	1,0737	1
13	Screw	DIN 7991 8.8	1

On request

- Special Threads
- Pressure Class PN 350
- Spring closed: 1BAR - 3BAR - 5BAR - 8BAR

• For further special requests please consult our technical/commercial service

"The company reserves the right to operate dimensional changes without prior notice".