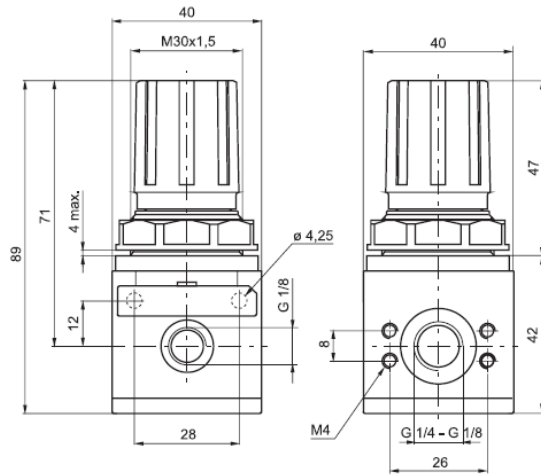


Modular pressure regulator 17002, 17102



Series 1700
Size 1

Air Service Units
Modular pressure regulator



Ordering code

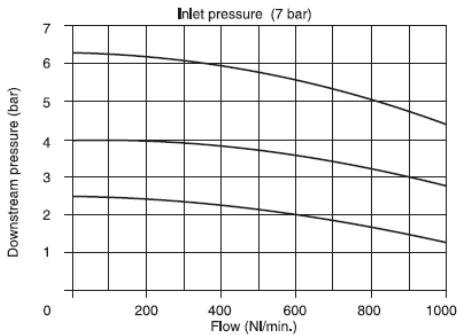
17V02C.G.T

VERSION	
V	0 = Zinc alloy body 1 = Technopolymer body
CONNECTIONS	
C	A = G 1/8" B = G 1/4"
ADJUSTING RANGE	
G	A = 0 - 2 bar B = 0 - 4 bar C = 0 - 8 bar D = 0 - 12 bar
TYPE	
T	L = no Relieving SM = improved relieving

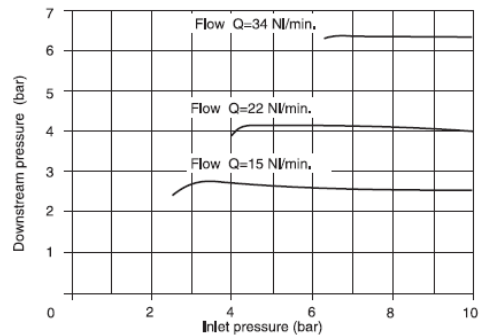
Example: 17102A.C
Pressure regulator size 1 with G 1/8" connections and 0 - 8 bar adjusting range with relieving with technopolymer body.

3

Flow rate curves



Adjustment characteristics



Operational characteristics

- Diaphragm pressure regulator with relieving.
- Balanced poppet.
- Zinc alloy body or reinforced technopolymer body with threaded aluminium insert connections.
- Wall mounting possibility with M4 screws protected by covers.
- Handle lockable in the desired position by simply pressing it downwards.
- Two pressure gauge connections with plug complete of seal.
- Panel mounting bracket.

Operational characteristics

Connections	G 1/8" - G 1/4"
Max. Inlet pressure	13 bar - 1,3 MPa
Max. ambient temperature (at 10 bar)	50°C
Pressure gauge connections	G 1/8"
Weight with technopolymer body	gr. 135
Weight with zinc alloy body	gr. 250
Pressure range	0 - 2 bar / 0 - 4 bar 0 - 8 bar / 0 - 12 bar
Assembly position	Any
Wall fixing screw	M4
Max. fitting torque on zinc alloy body	25 Nm
Max. fitting torque on technopolymer body	15 Nm