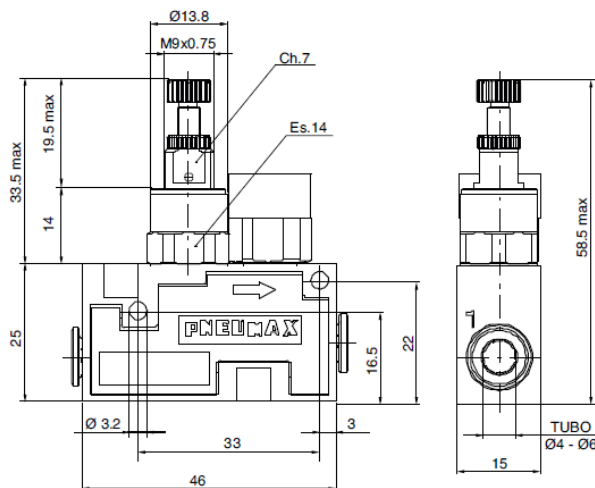


Miniaturised pressure regulator 17522A6.C DP067502

Air Service Units
Miniaturised pressure regulators

Serie 1700
Size 01



Ordering code

17522A^C.^R

CONNECTIONS

C 4= Tube $\text{Ø}4\text{mm}$

6= Tube $\text{Ø}6\text{mm}$

REGULATION RANGE

R C = 0 ÷ 8 bar

B = 0 ÷ 4 bar

A = 0 ÷ 2 bar

Example: Miniaturised pressure regulators with technopolymer body and integrated gauge, with quick coupling cartridges for tube $\text{Ø}6$ mm and tube $\text{Ø}4$ mm, pressure regulation range 0 ÷ 8 bar

Operational characteristics	Technical characteristic	
- Regulating cartridge = Nickel-plated brass	Max. Inlet pressure	10 bar
- Regulator body = Technopolymer	Maximum working temperature	-5°C ÷ +50°C
- Seals = Oil resistant nitrilic rubber (NBR)	Flow rate at 6 bar with $\Delta p=1$	120 NI/min.
- Plunger spring = AISI 302	Maximum flow rate	340 NI/min.
- Regulating spring = Spring suitable steel	Inlet connection sizes	$\text{Ø}4 - \text{Ø}6$
- Plunger = Oil resistant nitrilic rubber (NBR)	Consumption connection sizes	$\text{Ø}4 - \text{Ø}6$
- Other parts = Brass	Mounting positioning	Any