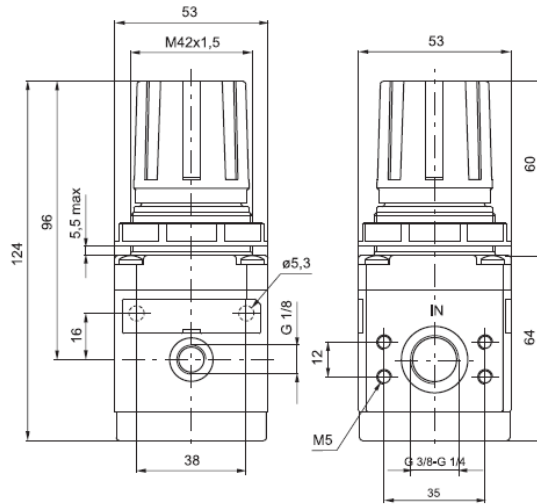


Pressure regulator 17202



Series 1700
Size 2

Air Service Units
Pressure regulator



Ordering code

17202C.G.T

CONNECTIONS

C A = G 1/4"

B = G 3/8"

ADJUSTING RANGE

C A = 0 - 2 bar

B = 0 - 4 bar

C = 0 - 8 bar

D = 0 - 12 bar

TYPE

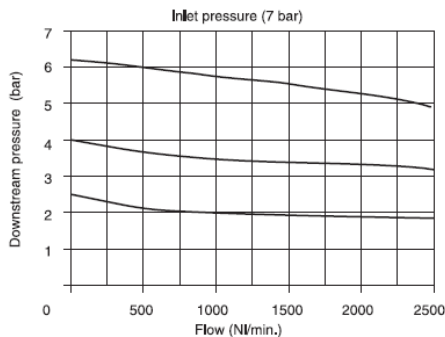
T L = no Relieving

SM = improved Relieving

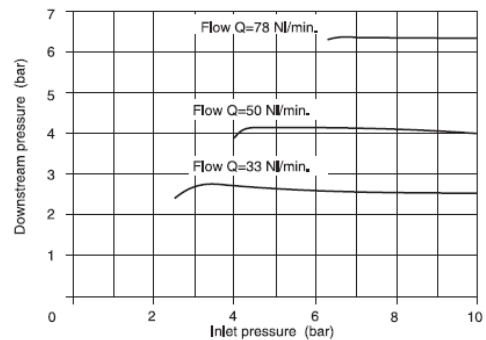
Example: 17202A.C
Pressure regulator with G 1/4" connections, adjusting range 0 - 8 bar with relieving.

3

Flow rate curves



Adjustment characteristics



Operational characteristics

- Diaphragm pressure regulator with relieving.
- Balanced poppet.
- Lockable handle by simply pressing it downwards in the desired position.
- Body made with light alloy.
- Wall mounting possibility with M5 screws protected by covers.
- Two pressure gauge connections with plug complete of seal.
- Panel mounting bracket.

Operational characteristics

Connections	G 1/4" - G 3/8"
Max. Inlet pressure	13 bar - 1,3 MPa
Max. ambient temperature (at 10 bar)	50°C
Pressure gauge connections	G 1/8"
Weight	gr. 390
Pressure range	0 - 2 bar / 0 - 4 bar 0 - 8 bar / 0 - 12 bar
Assembly position	Any
Wall fixing screw	M5
Max. fitting torque	25 Nm