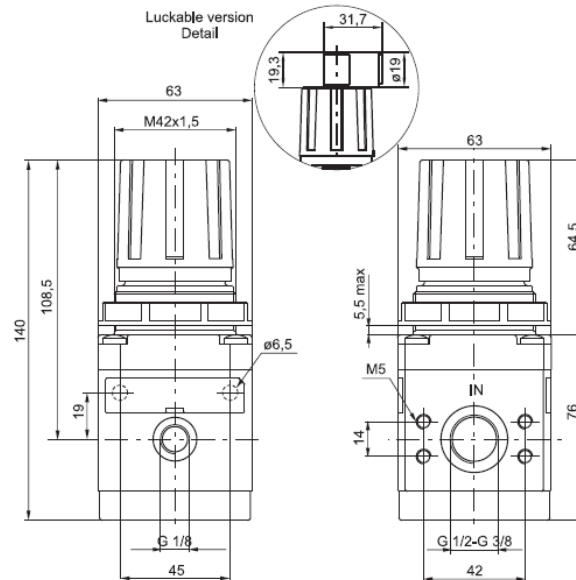


Pressure regulator 17302



Series 1700
Size 3

Air Service Units
Pressure regulator



Ordering code

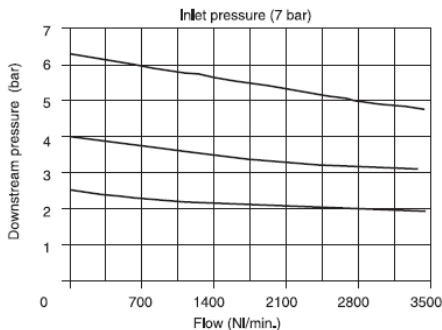
17302C.C.T.O

CONNECTIONS	
C	A = G 3/8"
	B = G 1/2"
ADJUSTING RANGE	
	A = 0 - 2 bar
G	B = 0 - 4 bar
	C = 0 - 8 bar
	D = 0 - 12 bar
TYPE	
T	L = no Relieving
	SM = improved relieving
OPTION	
O	K = Lockable version

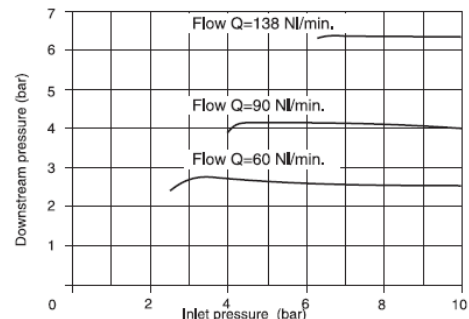
Example: 17302A.C
Pressure regulator with G 3/8" connections, adjusting range 0 - 8 bar with relieving.

3

Flow rate curves



Adjustment characteristics



Operational characteristics

- Diaphragm pressure regulator with relieving.
- Balanced poppet.
- Lockable handle by simply pressing it downwards in the desired position.
- Body made with light alloy.
- Wall mounting possibility with M6 screws protected by covers.
- Two pressure gauge connections with plug complete of seal.
- Panel mounting bracket.

Operational characteristics

Connections	G 3/8" - G 1/2"
Max. Inlet pressure	13 bar - 1,3 MPa
Max. ambient temperature (at 10 bar)	50°C
Pressure gauge connections	G 1/8"
Weight	gr. 550
Pressure range	0 - 2 bar / 0 - 4 bar 0 - 8 bar / 0 - 12 bar
Assembly position	Any
Wall fixing screw	M6
Max. fitting torque	40 Nm