

Pressure regulators ER series

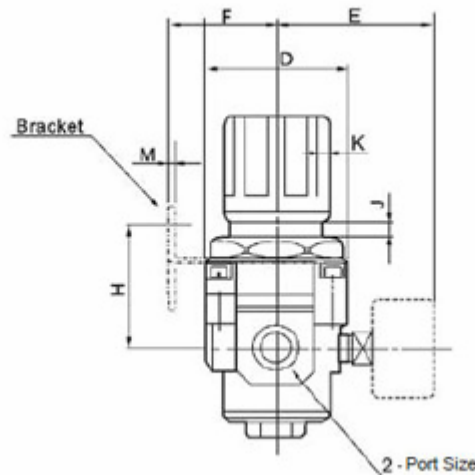
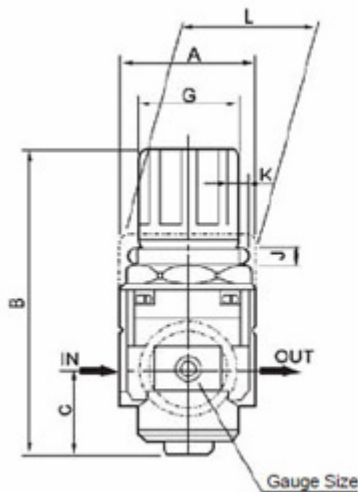


Regulator

ER1000-M5	ER3000-03
ER2000-01	ER4000-03
ER2000-02	ER4000-04
ER2500-02	ER4000-06
ER2500-03	ER5000-06
ER3000-02	ER5000-10

Model	ER 1000-M5	ER 2000-01	ER 2000-02	ER 2500-02	ER 2500-03	ER 3000-02	ER 3000-03	ER 4000-03	ER 4000-04	ER 4000-06	ER 5000-06	ER 5000-10	
Medium Pressure(MPa)	Clean Air 0~1.0												
Max.Pressure (MPa)	1.5												
Temperature (°C)	5~60												
Thread Size	M5	1/8"	1/4"	1/4"	3/8"	1/4"	3/8"	3/8"	1/2"	3/4"	3/4"	1"	
Gauge Thread	1/16	1/8"						1/4"					
Gauge Model	Y25	Y40						Y50					
Rated Flow(L/min)	100	550		2000		2500		6000		8000			
Bracket	B120	B220				B320			B420				
Body Material	Alloyed Aluminium												

Note: Different thread, body colors are available



Panel cutting Hole



AR1000~3000:Max3.5
AR4000~5000:Max5

Dimensions sheet

Model	Port Size(G)	A	B	C	D	E	F	G	H	J	K	L	M	N
XAR1000	M5	25	61.5	11	25	26	25	28	30	4.5	6.5	40	2	20.5
XAR2000	G1/8"-G1/4"	40	95	17	40	56.8	30	34	44	5.4	15.4	55	2.3	33.5
XAR3000	G1/4"-G3/8"	53	127.5	35	53	60.8	39	40	46	6.5	8	53	2.3	52.5
XAR4000	G3/8"-1/2"	70	149.5	37.5	70	69.5	49.5	54	54	8.5	10.5	70	2.3	52.5
XAR4000-06	G3-4"	75	154	40.5	70	69.5	49.5	54	55.5	.5	10.5	70	2.3	52.5
XAR5000	G3/4"-G1"	90	168	48	90	75.5	49.5	54	62	8.5	10.5	70	2.3	52.5