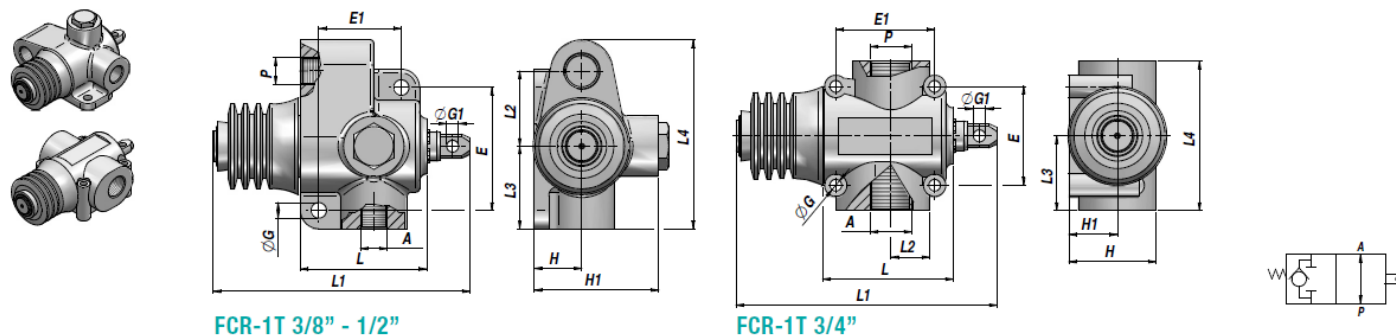


FCR-1T NA End-stroke valve-normally open

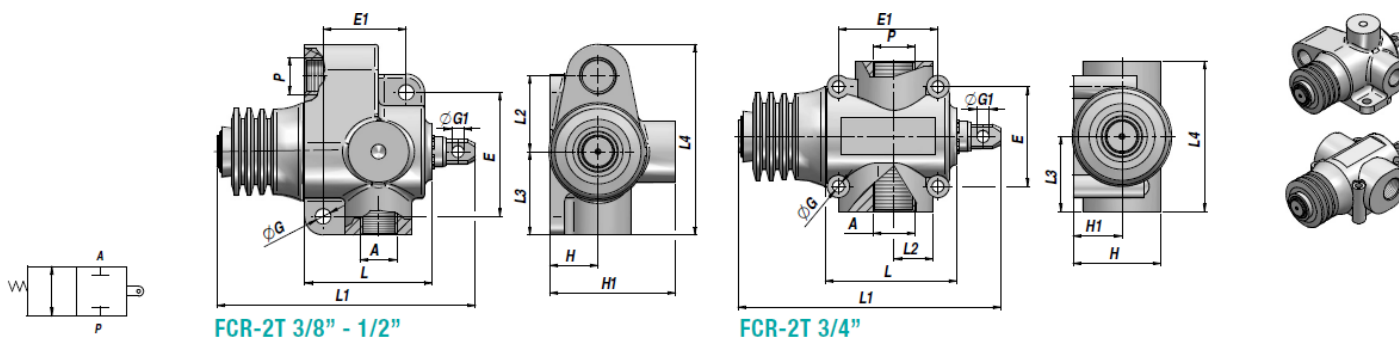


FCR-1T 3/8" - 1/2"

FCR-1T 3/4"

Codice Code Bestell-Nr.	A - P BSP	Q MAX l/min	P MAX bar	Tipo Type Typ	L	L1	L2	L3	L4	ØG	ØG1	E	E1	H	H1	kg
V7090.0824	3/8"	60	350	FCR-1T 60-NA 38	69	130	41	45	103	8,5	6,5	66	45	26	68	1,63
V7090.0826	1/2"	80	350	FCR-1T 80-NA 12	69	130	41	45	103	8,5	6,5	66	45	26	68	1,62
V7090.1200	3/4"	120	350	FCR-1T120-NA 34	88	173	23,5	46	92	8,5	13	50	56	27,5	50	2,11

FCR-2T NC End-stroke valve-normally closed



FCR-2T 3/8" - 1/2"

FCR-2T 3/4"

Codice Code Bestell-Nr.	A - P BSP	Q MAX l/min	P MAX bar	Tipo Type Typ	L	L1	L2	L3	L4	ØG	ØG1	E	E1	H	H1	kg
V7090.0820	3/8"	60	350	FCR-2T 60-NC 38	69	130	41	45	103	8,5	6,5	66	45	26	68	1,65
V7090.0822	1/2"	80	350	FCR-2T 80-NC 12	69	130	41	45	103	8,5	6,5	66	45	26	68	1,65
V7090.0823	3/4"	120	350	FCR-2T120-NC 34	88	179	23,5	46	92	8,5	13	50	56	27,5	50	2,20

DP067692 DP067691 DP058001 DP058253 DP067693 DP020415