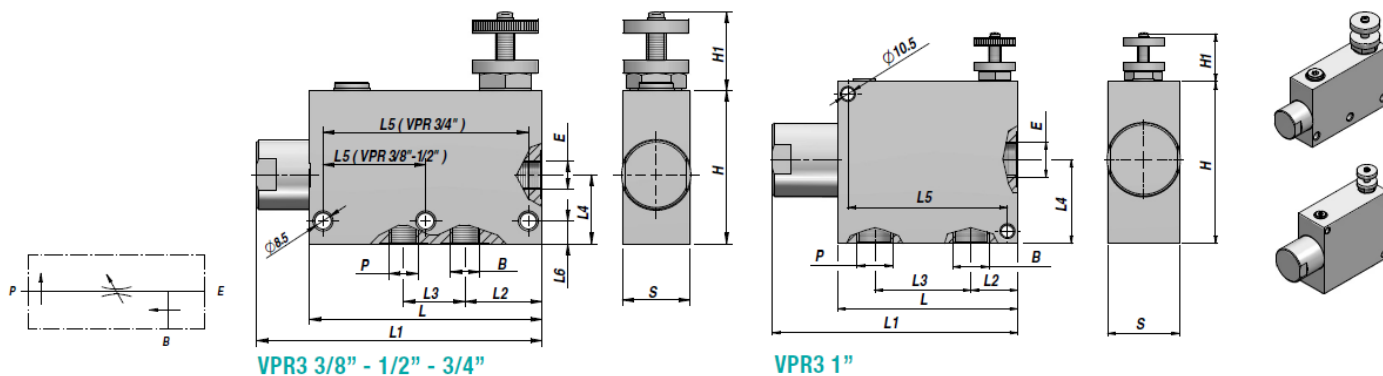


## VPR3 Priority flow control (pressure compensated)



REGOLABILE - ADJUSTABLE - EINSTELLBAR  
ECCEDENZA IN PRESSIONE - EXCEEDING FLOW TO PRESSURE - RESTÖLSTROM ZUM DRUCK

Codice Code Bestell-Nr.	E - P - B BSP	Q MAX l/min In (E)/Reg (P)	P MAX bar	Tipo Type Typ	L	L1	L2	L3	L4	L5	L6	H1	H	S	kg
V3490.1060	3/8"	50 / 40	350	VPR 3 3/8"	121	147	40	32	36	55	12	35	80	35	2,53
V3490.1070	1/2"	85 / 60	350	VPR 3 1/2"	121	147	37	36	36	55	12	35	80	35	2,47
V3490.1080	3/4"	150 / 90	350	VPR 3 3/4"	155	190	67	44	45	135	8	35	90	50	2,40
V3490.1090 *	1"	250 / 150	210	VPR 3 1"	150	205	39	80	70	133	114,5	35	135	60	4,00

DP056855 DP056854 DP056852 DP056853