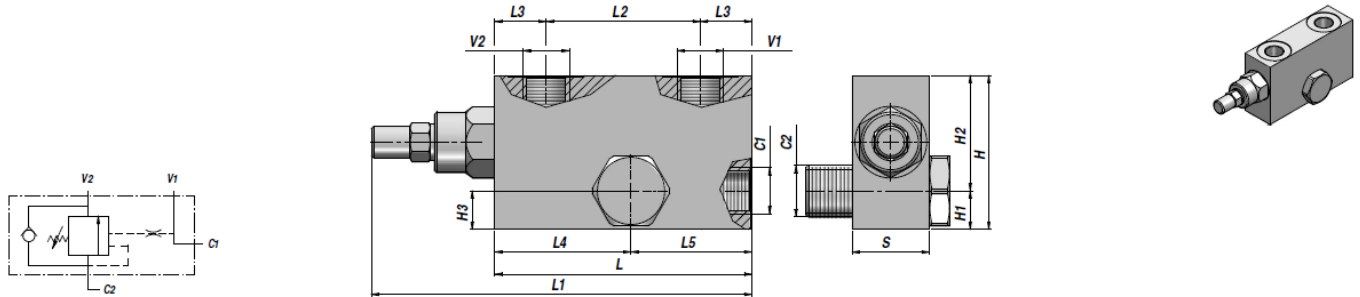
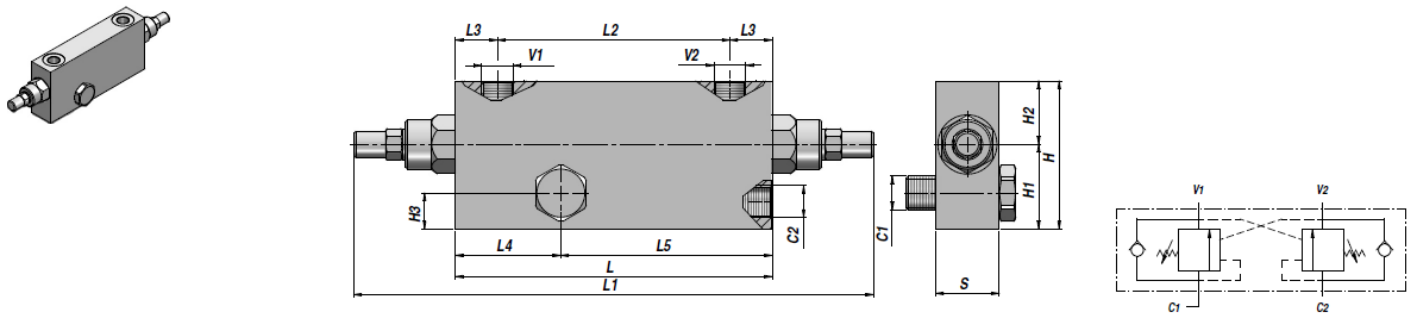


VBCD/A SE-FLV Single overcenter valves



Codice Code Bestell-Nr.	V1 - V2 BSP	C1 - C2 BSP	Q MAX l/min	P MAX bar	PILOT RATIO	Tipo Type Typ	L	L1	L2	L3	L4	L5	H1	H2	H3	H	S	kg
V2190.0392FLV	3/8"	3/8"	40	350	1:4,5	VBCD/A SE-FLV 3/8"	100	150	60	20	50	50	30	30	15	60	30	1,35
V2190.0412FLV	1/2"	1/2"	60	350	1:4,5	VBCD/A SE-FLV 1/2"	100	150	60	20	53	47	34	26	15	60	30	1,31

VBCD/A DE-FLV Double overcenter valves



Codice Code Bestell-Nr.	V1 - V2 BSP	C1 - C2 BSP	Q MAX l/min	P MAX bar	PILOT RATIO	Tipo Type Typ	L	L1	L2	L3	L4	L5	H1	H2	H3	H	S	kg
V2290.0422FLV	3/8"	3/8"	40	350	1:4,5	VBCD/A DE-FLV 3/8"	150	250	110	20	50	100	40	30	12,5	70	30	2,41
V2290.0432FLV	1/2"	1/2"	60	350	1:4,5	VBCD/A DE-FLV 1/2"	150	250	110	20	50	100	48	32	18	80	30	2,70

DP061006 DP056728 DP061430 DP061429