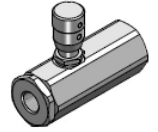
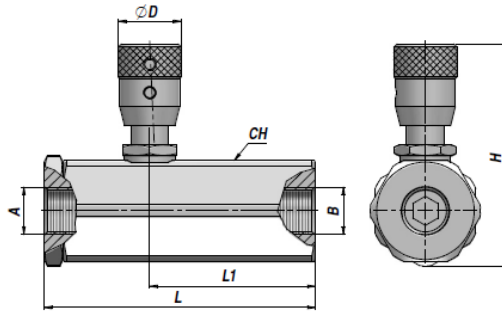
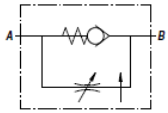


## VRFU90C Compensated flow control valve (poppet type)



Codice Code Bestell-Nr.	A BSP	B BSP	Q MAX l/min A>B	Q MAX l/min B>A	P MAX bar	Tipo Type Typ	L	L1	ØD	CH	H	kg
VSG523.1C0000	1/4"	1/4"	17	25	300	VRFU90-C 010	87	52,5	20	32	68	0,52
VSG523.2C0000	3/8"	3/8"	17	30	300	VRFU90-C 020	87	52,5	20	32	68	0,50
VSG523.3C0000	1/2"	1/2"	28	45	250	VRFU90-C 030	107	61	20	36	71	0,69

DP061037 DP058497