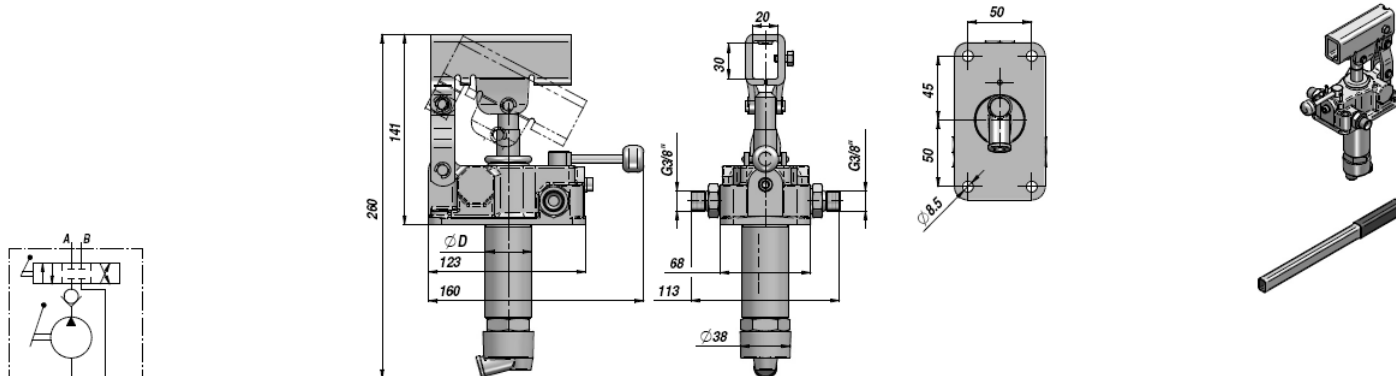


HANDS PUMS PAM - TD

POMPA A MANO - PREDISPOSTA PER SERBATOIO CON DEVIATORE A 4 VIE
HAND PUMP - SUITABLE FOR OIL TANK WITH 4-WAY DIVERTER
HANDPUMPE - MIT TANKEINRICHTUNG MIT 4-WEGE-VENTIL

PAM-TD



OPTIONAL		
Codice Code Bestell-Nr.	Dimensioni Size Größe	kg
PAM0290000	20x30x600	0,86
LEVA - HAND LEVER - HEBEL		

Codice Code Bestell-Nr.	Tipo Type Typ	cm ³ /ciclo cm ³ /cycle cm ³ /Hub	P MAX bar	ØD	kg
PAM0151200	PAM-TD 12	12	380	30	2,85
PAM0152500	PAM-TD 25	25	350	35	2,95
PAM0154500	PAM-TD 45	45	280	40	3,15

A RICHIESTA - ON REQUEST - AUF ANFRAGE:

PAM-TDS = SOFFIETTO - BELLOW - FALTENBALG

FPM = O-RING: VITON

PAM-TDV = VALVOLA DI MAX. PRESSIONE INCORPORATA - BUILT-IN PRESSURE RELIEF VALVE - MIT DRUCKBEGRENZUNGSVENTIL

DP056992 DP016320 DP019317