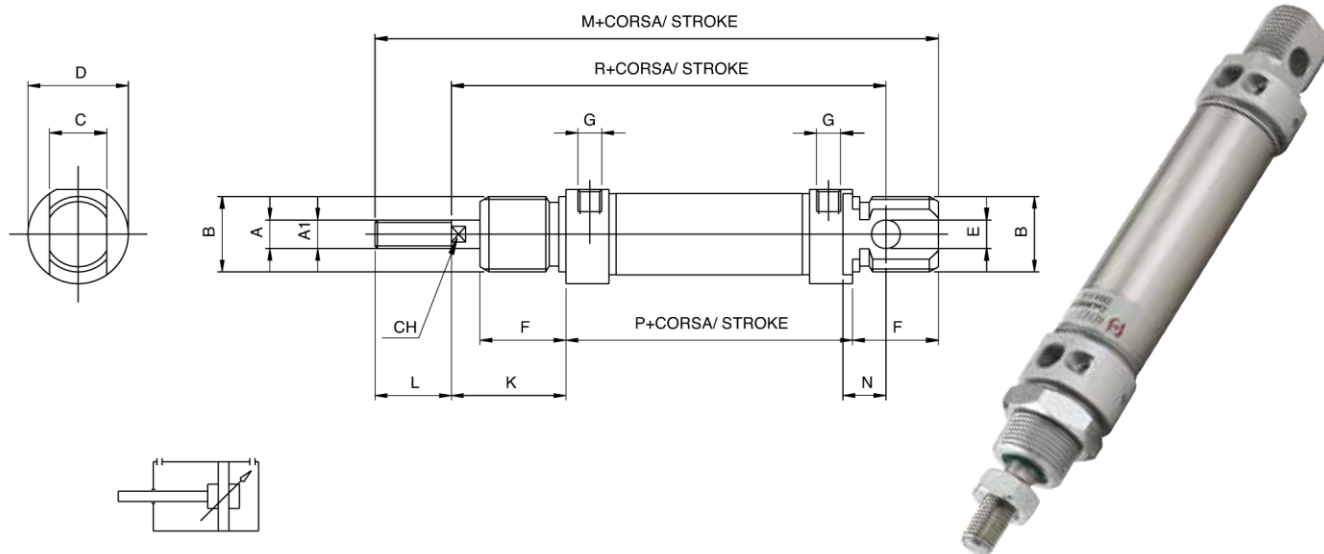


MC2M type DOUBLE ACTING CUSHIONED MAGNETIC



DOUBLE ACTING CUSHIONED MAGNETIC

Ø mm.	A	A'	B	C	D	E	F	G	K	L	M	N	P	R	CH
16	M6	6	M16x1.5	12	21	6	18	M5	22	16	109	9	53	8	25
20	M8	8	M22x1.5	16	27	8	20	1/8G	24	20	131	12	67	95	7
25	M10x1.25	10	M22x1.5	16	30	8	22	1/8G	28	22	140	12	68	104	9