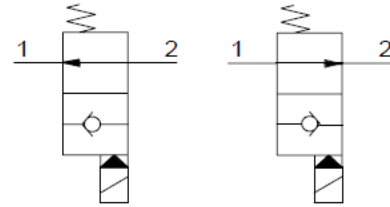


SAE-8 Cartridge valve NA

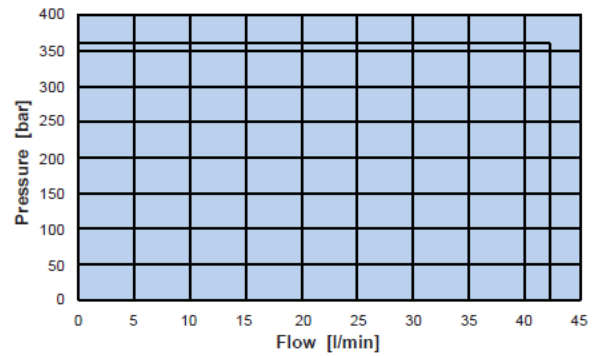
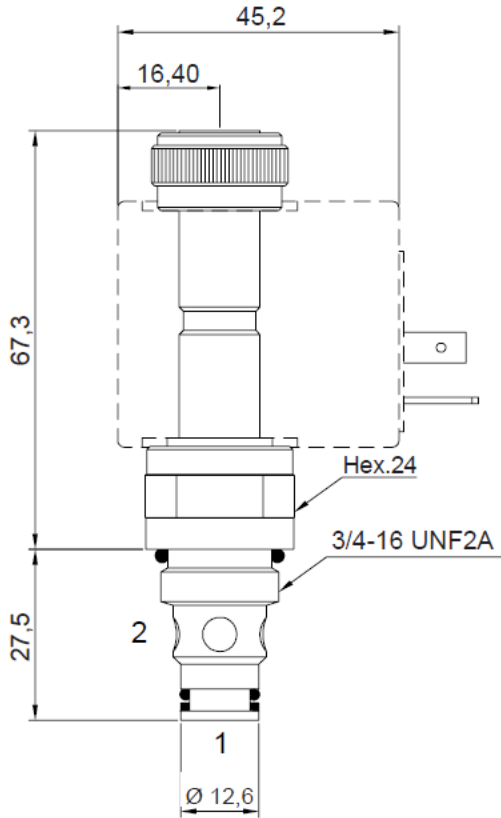
2 WAYS 2 POSITIONS ELECTRIC VALVE, PILOT POPPET OPERATED NO

- Flow 40 l/min
- Max working pressure 350 bar
- Leakage 0,25 cc/min
- Seals NBR
- Cavity C220000
- Cartridge tightening torque..... 30 Nm
- Ring nut tightening torque..... 5 Nm
- Weight (with coil)..... 0,32 Kg
- Coil CT-9400 to be ordered separately



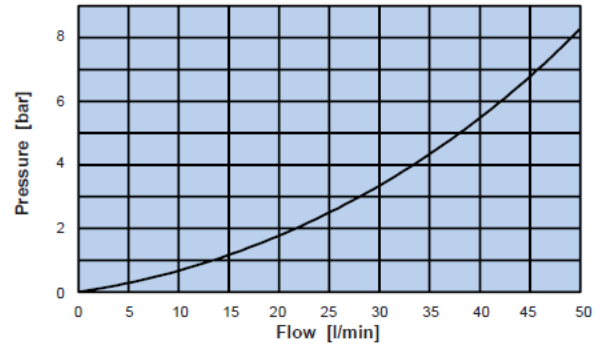
Scheme 0

Scheme 1



Application limits from 1 to 2 and 2 to 1

75



Pressure drop with energized coil

Ordering code

0 5 5 2 0 [] 0 [] 0 0

