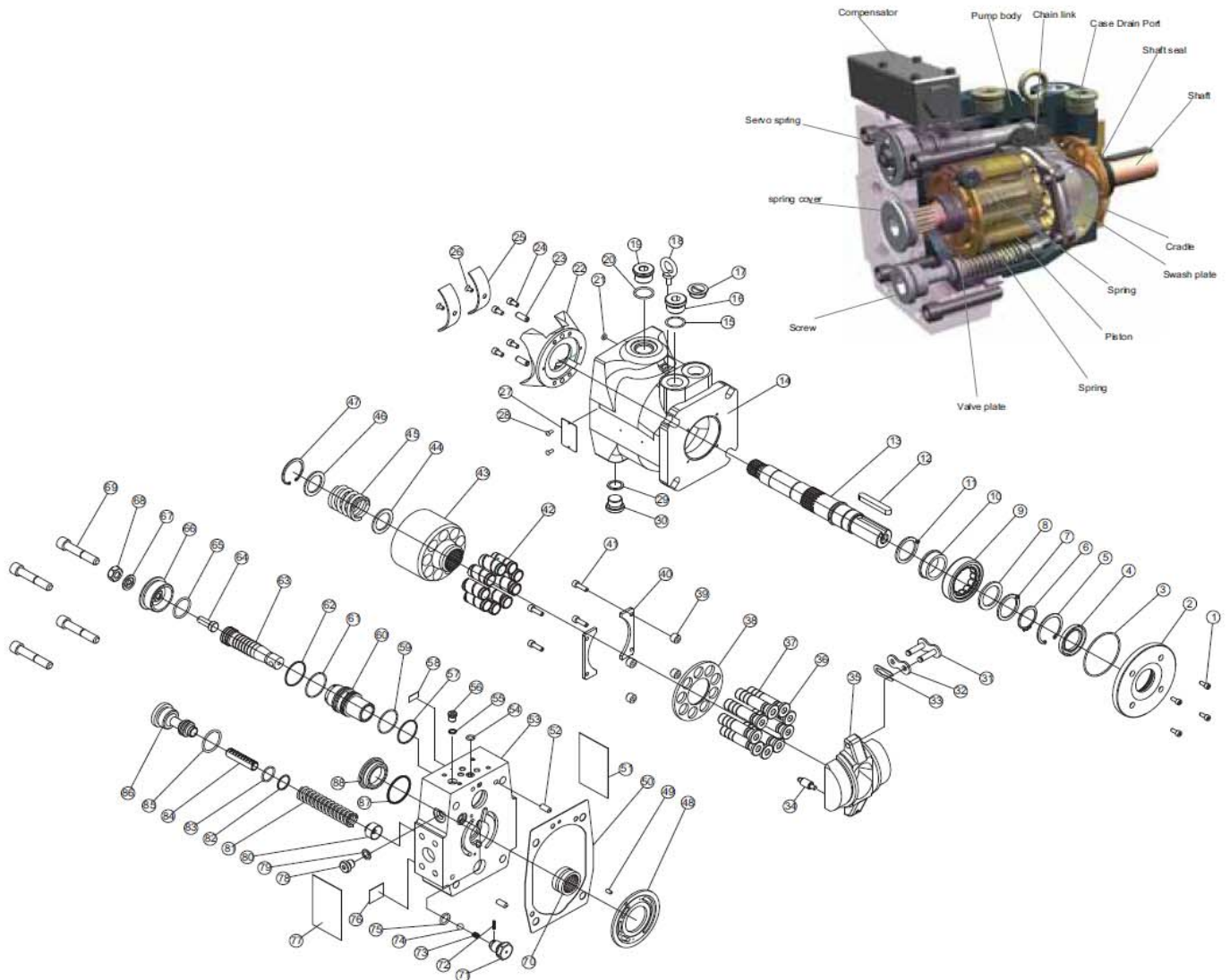


[ASSEMBLY]



PARTS LIS

NO.	DESCRIPTION	NO.	DESCRIPTION	NO.	DESCRIPTION	NO.	DESCRIPTION
1	Hexagon socket head cap screw	23	Pin	45	Spring	67	Washer
2	Pilot cover	24	Screw	46	Washer	68	Servo piston sleeve
3	O-ring	25	Trunnion bearing	47	Snap ring	69	Screw
4	Shaft seal	26	Screw	48	Valve plate	70	Trunnion bearing
5	Snap ring	27	Rotation indicator	49	Pin	71	Plug
6	Snap ring	28	Rivet	50	Seal	72	Pin
7	Washer	29	O-ring	51	Seal	73	Spring
8	Washer	30	Plug	52	Pin	74	Ball
9	Roller bearing	31	Chain link	53	Pump body	75	O-ring
10	Roller bearing	32	Chain link	54	O-ring	76	Label
11	Roller bearing	33	Chain link	55	O-ring	77	Seal
12	Key	34	Connector servo spring	56	Plug	78	Plug
13	Shaft	35	Swash plate	57	O-ring	79	O-ring
14	Pump body	36	Piston	58	Label	80	Washer
15	O-ring	37	Piston	59	O-ring	81	Spring
16	Plug	38	Slipper segment	60	Servo piston sleeve	82	O-ring
17	Plug	39	Washer	61	O-ring	83	O-ring
18	Ring	40	Retainer segment	62	O-ring	84	Pin
19	Plug	41	Screw	63	Servo piston sleeve	85	O-ring
20	O-ring	42	Spring	64	Servo piston sleeve	86	Screw
21	O-ring	43	Cylinder block	65	O-ring	87	O-ring
22	Cradle	44	Washer	66	Servo piston sleeve	88	Spring cover