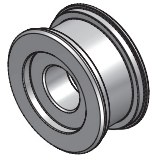
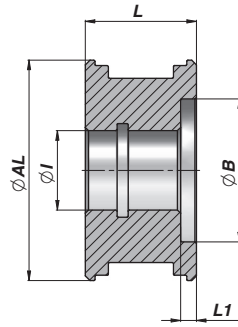


C200

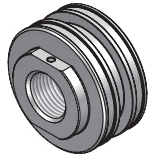
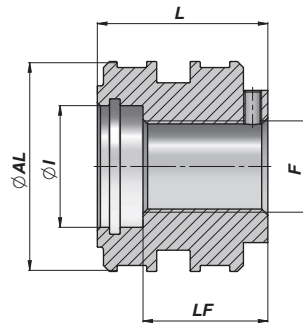


Codice Code Bestell-Nr.	ØAL	ØI	L	ØB	L1	kg	Confezione Box Verpackung	Pz Pcs Stk	Set guarnizioni Seal kits Dichtsätze
CTLM040015027	40	15	27	27	5	0,15	Z50CTLM040015	50	GKGCTLM040015
CTLM050021030	50	21	30	36	5	0,25	Z50CTLM050021	50	GKGCTLM050021
CTLM060025035	60	25	35	45	5	0,40	Z25CTLM060025	25	GKGCTLM060025
CTLM070025035	70	25	35	45	5	0,59	Z25CTLM070025	25	GKGCTLM070025
CTLM080028040	80	28	40	50	6	0,95	Z20CTLM080028	20	GKGCTLM080028
CTLM100035040	100	35	40	60	6	1,60	Z10CTLM100035	10	GKGCTLM100035

MATERIALE - MATERIAL:
ACCIAIO - STEEL - STAHL 9SMn28

GUARNIZIONI: VEDI PAGINA 93
SEALS: SEE PAGE 93 - DICHTUNGEN: SIEHE SEITE 93

P350



Codice Code Bestell-Nr.	ØAL	F	LF	L	ØI	kg	Confezione Box Verpackung	Pz Pcs Stk	Set guarnizioni Seal kits Dichtsätze
NEW! CTPM050021040	50	M20x1,5	28	40	21	0,40	Z50CTPM050021	50	GKGCTPM050021
NEW! CTPM060030045	60	M27x2	30	45	30	0,60	Z25CTPM060030	25	GKGCTPM060030
CTPM070040056	70	M30x2	41	56	40	1,00	Z25CTPM070040	25	GKGCTPM070040
CTPM080040056	80	M30x2	41	56	40	1,40	Z10CTPM080040	10	GKGCTPM080040
CTPM090038055	90	M36x3	40	55	38	1,80	Z10CTPM090038	10	GKGCTPM090038
CTPM100045056	100	M42x2	41	56	45	2,20	Z10CTPM100045	10	GKGCTPM100045
CTPM110050070	110	M48x3	55	70	50	3,40			GKGCTPM110050
CTPM120050070	120	M48x3	55	70	50	4,10			GKGCTPM120050
NEW! CTPM125050070	125	M48x3	55	70	51	4,40			GKGCTPM125050
CTPM140050075	140	M48x3	57	75	50	6,00			GKGCTPM140050
NEW! CTPM150056080	150	M52x3	60	80	56	7,50			GKGCTPM150056
CTPM160056080	160	M52x3	60	80	56	8,50			GKGCTPM160056

MATERIALE - MATERIAL:
ACCIAIO - STEEL - STAHL UNI C40

GUARNIZIONI: VEDI PAGINA 93
SEALS: SEE PAGE 93 - DICHTUNGEN: SIEHE SEITE 93