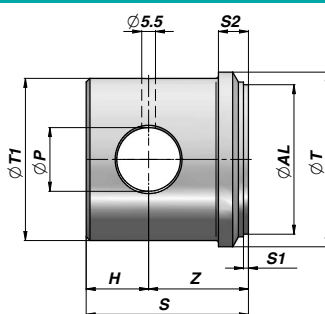
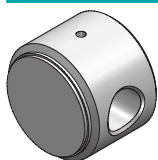


CFHRT

FONDELLO CON FORO
END-PLUG WITH HOLE
ZYLINDERBODEN MIT BOHRUNG

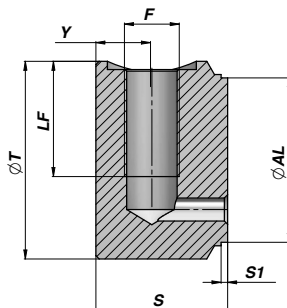
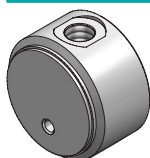


Codice Code Bestell-Nr.	ØAL	ØT	ØP	Z	H	S	S1	ØT1	S2	kg	Confezione Box Verpackung	Pz Pcs Stk
CFHRT04030	30	40	14,0	16	14	30	2	-	-	0,23	Z00CFHRT04030	100
CFHRT06050	50	60	23,0	28	22	50	2	-	-	0,90	Z25CFHRT06050	25
CFHRT07060	60	70	25,5	40	25	65	2	65	12	1,48	Z12CFHRT07060	12

MATERIALE - MATERIAL: ACCIAIO - STEEL - STAHL S355JO (Fe510C) - S355JR (A105)

CFVP

FONDELLO CON ENTRATA OLIO
END-PLUG WITH INLET PORT
ZYLINDERBODEN MIT ÖLEINLASS

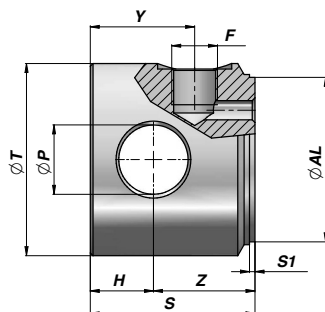
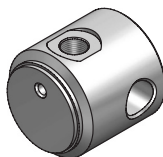


Codice Code Bestell-Nr.	ØAL	ØT	F BSP	LF	Y	S	S1	kg	Confezione Box Verpackung	Pz Pcs Stk
CFVPO4005004	40	50	1/4"	30	17	40	2	0,54	Z20CFVPO4005004	20
CFVPO5006006	50	60	3/8"	35	17	40	2	0,77	Z25CFVPO5006006	25
CFVPO6007006	60	70	3/8"	35	17	40	2	1,10	Z20CFVPO6007006	20
CFVPO6307306	63	73	3/8"	35	17	40	2	1,17	Z10CFVPO6307306	10
CFVPO7008006	70	80	3/8"	35	17	40	2	1,41	Z10CFVPO7008006	10
CFVPO8009508	80	95	1/2"	45	20	50	2	2,49	Z10CFVPO8009508	10
CFVPI0011508	100	115	1/2"	45	20	50	2	3,70	Z05CFVPI0011508	5

MATERIALE - MATERIAL: ACCIAIO - STEEL - STAHL S355JO (Fe510C) - S355JR (A105)

CFE

FONDELLO CON FORO ED ENTRATA OLIO
END-PLUG WITH CROSS HOLE AND INLET PORT
ZYLINDERBODEN MIT BOHRUNG UND ÖLEINLASS



Codice Code Bestell-Nr.	ØAL	ØT	ØP	Z	H	F BSP	Y	S	S1	kg	Confezione Box Verpackung	Pz Pcs Stk
CFE0400504	40	50	16,20	35	15	1/4"	30	50	2	0,60	Z25CFE0400504	25
CFE0500606	50	60	20,25	40	20	3/8"	38	60	2	1,10	Z10CFE0500606	10
CFE0600706	60	70	25,25	37	23	3/8"	38	60	2	1,40	Z10CFE0600706	10
CFE0700806	70	80	25,25	37	23	3/8"	38	60	2	1,95	Z10CFE0700806	10
CFE0800958	80	95	30,25	50	25	1/2"	47	75	2	2,50	Z05CFE0800958	5
CFE1001158	100	115	35,25	45	30	1/2"	47	75	2	4,50	Z05CFE1001158	5

MATERIALE - MATERIAL: ACCIAIO - STEEL - STAHL S355JO (Fe510C) - S355JR (A105)