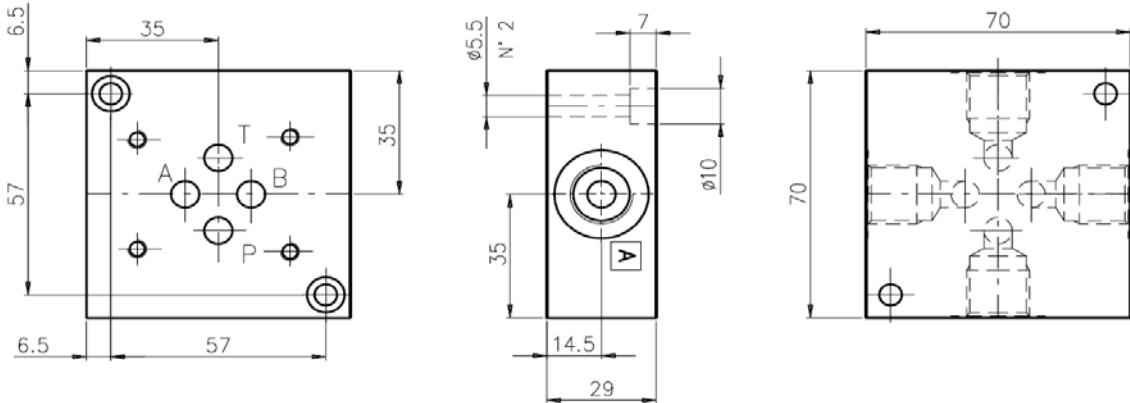


EAS338* Sub plate NG6 with ports A-B-P-T

Sub plate with ports A-B-P-T on side, 3/8"G. Weight = 0.35 Kg
Material: aluminium (2011-FC1) anodized. Max operating pressure: 210 bar
Grundplatte,A-B-P-T seitlich 3/8"G. Gewicht = 0.35 Kg
Werkstoff: aluminium 2011 (AlCuBiPb) eloxiert. Max Betriebsdruck: 210 bar



Ordering code:
Bestell-Code:

EUROFLUID
Aluminium sub plate
Grundplatte aluminium

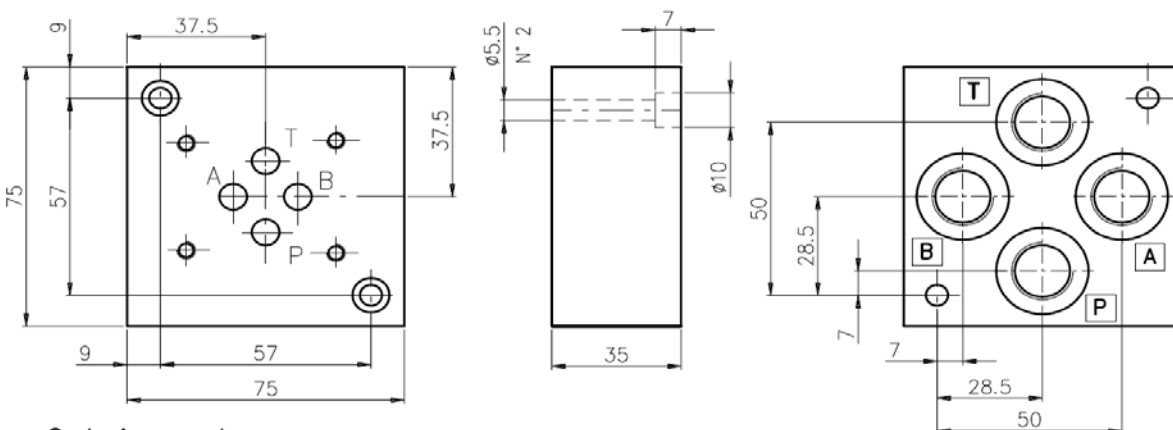
EAS 3 38 L
L side ports
seitl. Anschlüssen
CETOP 3 = 3 38 = 3/8"G

Hydraulic symbol
symbol



Set of 10 pcs. / Satz von 10 Stk.

Sub plate with ports A-B-P-T on rear, 3/8"G. Weight = 0.5 Kg
Material: aluminium (2011-FC1) anodized. Max operating pressure: 210 bar
Grundplatte,A-B-P-T rueckseitig, 3/8"G. Gewicht = 0.5 Kg
Werkstoff: aluminium 2011 (AlCuBiPb) eloxiert. Max Betriebsdruck: 210 bar



Ordering code:
Bestell-Code:

EUROFLUID
Aluminium sub plate
Grundplatte aluminium

EAS 3 38 P
P rear ports
rueckseitige Anschlüssen
CETOP 3 = 3 38 = 3/8"G

Hydraulic symbol
symbol



Set of 10 pcs. / Satz von 10 Stk.