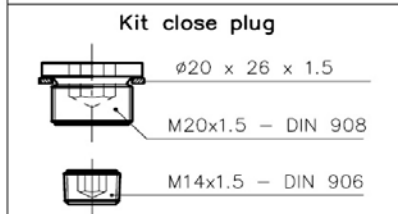
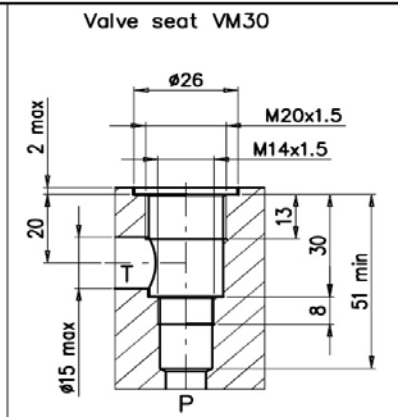
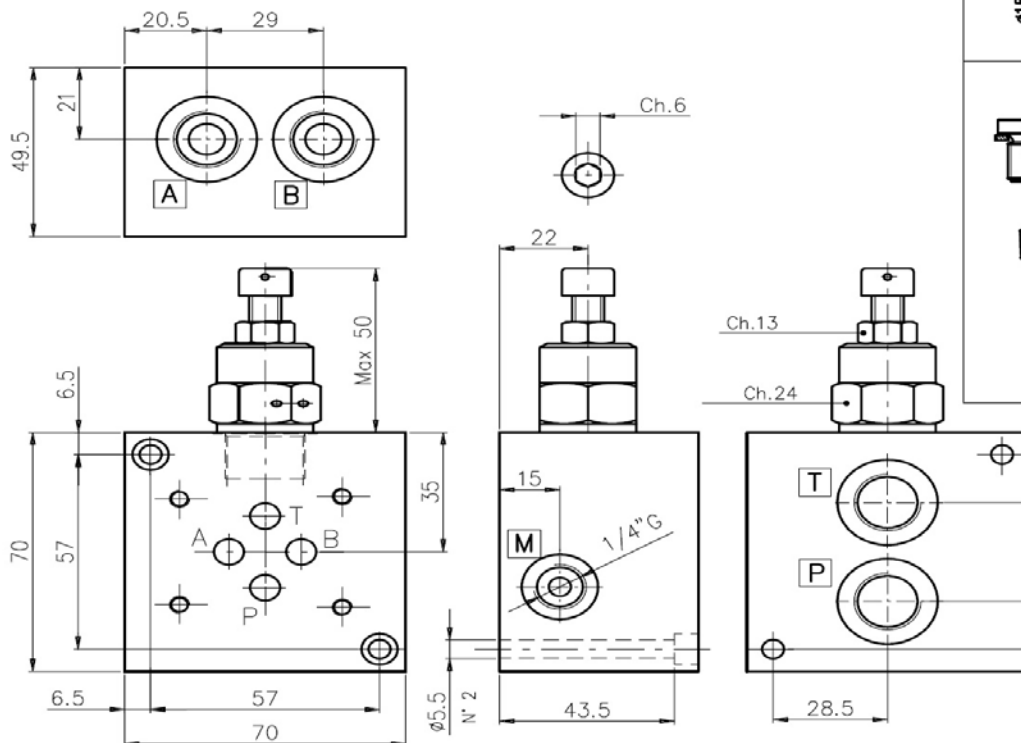
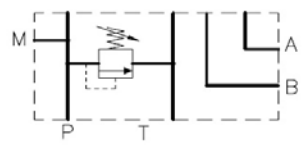


EAS338PLX... SINGLE SUB PLATE

Sub plate, with ports A–B on side, P–T on rear, 3/8" G.
With relief valve (RV). Weight = 0.6 Kg
Max operating pressure: 210 bar
Material: aluminium 2011 (FC1) anodized.

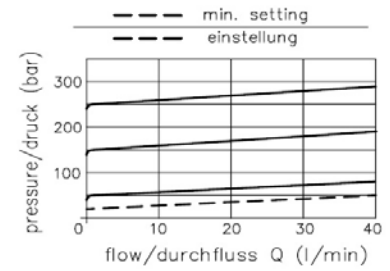


Ordering code:
ET VM30



Hydraulic symbol

performance



Ordering code: **EAS 3 38 PL X * F**

EUROFLUID
Aluminium sub plate = **EAS**
CETOP 3 = **3**
3/8" G = **38**
rear/side ports = **PL**
= Spring type
1 = 25–70 bar
2 = 35–170 bar
3 = 70–315 bar
X = with RV
F = Setting by key