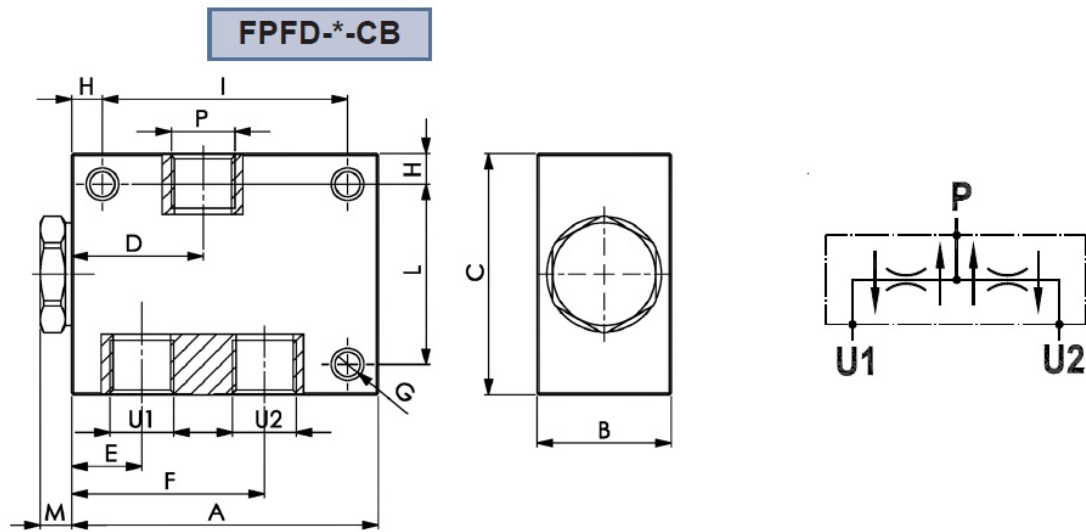


FPFD.*.CB 2-WAYS FLOW DIVERTER



TIPO TYPE	P	U1-U2	A	B	C	D	E	F	G	H	I	L	M	PESO WEIGHT
	BSPP	BSPP	mm	mm	mm	mm	mm	mm	mm	mm	mm	mm	mm	Kg
FPFD S10 CB	3/8"(A-E-I) 1/2"(M-Q)	3/8"	80	35	63	34	18	50	6.5	8	64	47	8	0,500
FPFD S10 CB S	3/8"(A-E-I) 1/2"(M-Q)	3/8"	80	35	63	34	18	50	6.5	8	64	47	8	1,200
FPFD S12 CB	1/2"(A) 3/4"(E)	1/2"	115	40	80	53.3	27.3	78.3	6.5	8	99	64	10.7	1,100
FPFD S12 CB S	1/2"(A) 3/4"(E)	1/2"	115	40	80	53.3	27.3	78.3	6.5	8	99	64	10.7	2,500
FPFD S16 CB	3/4"(A) 1"(E)	3/4"	125	50	100	54.3	25.8	82.8	8.5	10	105	80	12.7	1,800
FPFD S16 CB S	3/4"(A) 1"(E)	3/4"	125	50	100	54.3	25.8	82.8	8.5	10	105	80	12.7	4,300

DP073733 DP073732