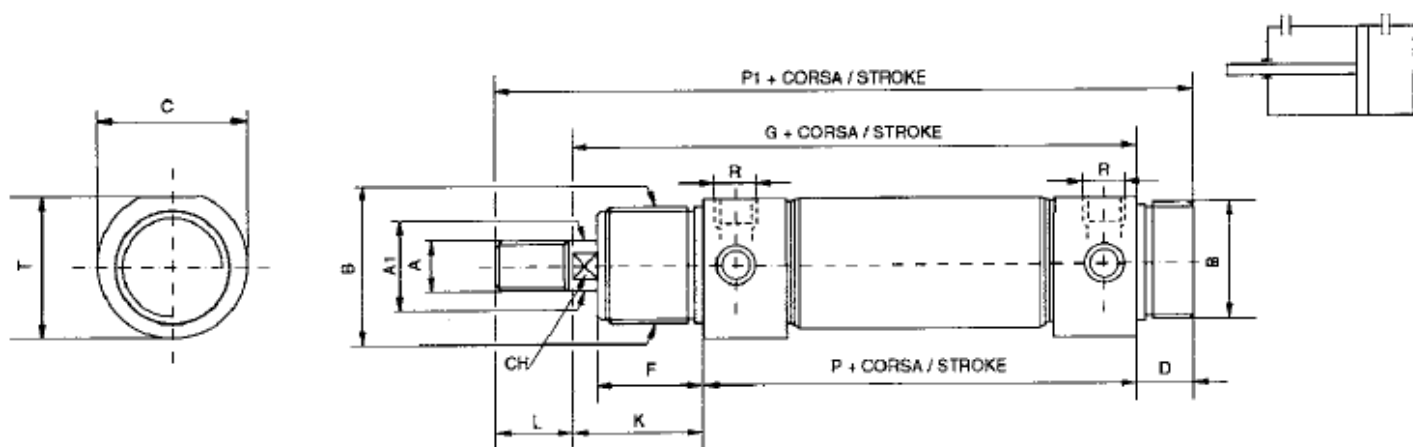


**AF DOUBLE ACTING MAGNETIC**



Ø mm.	A	A'	B	T	C	D	F	G	K	L	P	P1	CH	R
32	M10x1.25	12	M30x1.5	36.5	38	14	30	134	38	20	96	168	10	1/8"GAS
40	M12x1.25	16	M38x1.5	44	46	16	35	156	45	24	111	196	12	1/4"GAS
50	M16x1.5	20	M45x1.5	55	57	18	38	170	50	32	120	220	16	1/4"GAS
63	M16x1.5	20	M45x1.5	67.5	70	18	38	174	50	32	124	224	16	3/8"GAS