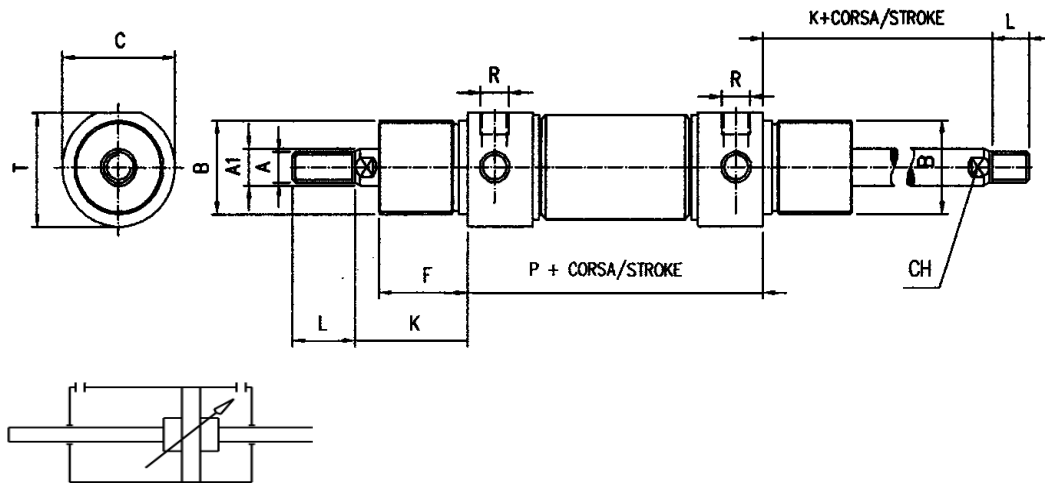


AL DOUBLE ACTING CUSHIONED MAGNETIC WITH DOUBLE ROD END



∅ mm.	A	A'	B	T	C	F	K	L	P	CH	R
32	M10x1.25	12	M30x1.5	36.5	38	30	38	20	96	10	1/8G
40	M12x1.25	16	M38x1.5	44	46	35	45	24	111	12	1/4G
50	M16x1.5	20	M45x1.5	55	57	38	50	32	120	16	1/4G
63	M16x1.5	20	M45x1.5	67.5	70	38	50	32	124	16	3/8G