

4V,3V300 Series Solenoid Valve, 4A,3A300 Series Pneumatic Control Valve



4A310-10



3V310-10



3A310-10



4V320-08

Ordering Code

4V

3

10

10

□

AC220V

□

Specification Code

4V:Two(Three)-position Five-way Solenoid Valve
4A:Two(Three)-position Five-way pneumatic control Valve
3V:Two-position Three-way Solenoid Valve
3A:Two-position Three-way Pneumatic Control Valve

Series Code

300 Series

Coil and Places

10:Single-head Double-position
20:Double-head Double-position
30C:Double-head Three-position Close Type
30E:Double-head Three-position Exhaust Type
30P:Double-head Three-position Pressure Type

Port Size

08:G1/4"
10:G3/8"

Port connection and Initial State

NC:Two-position Three-way Normal Close Type
NO:Two-position Three-way Normal Open Type

Standard Voltage

DC12V
DC24V
AC24V 50Hz/60Hz
AC110V 50Hz/60Hz
AC220V 50Hz/60Hz
AC380V 50Hz/60Hz

Wiring Form

Blank:Standard Connector
LD:With Lighting Connector
LD1:With Lighting Connector
W:Lead Wire Type

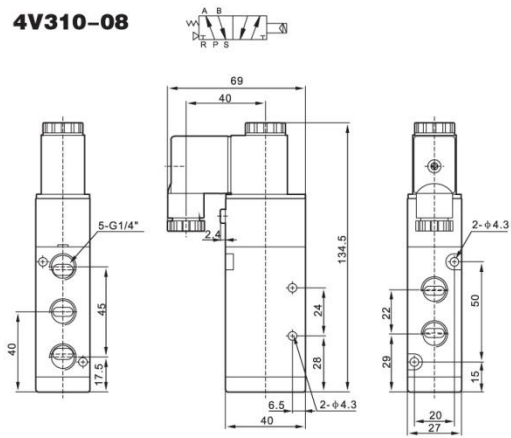
Specification

Model	4V310-08	4V320-08	4V330C-08	4V330E-08	4V330P-08	4V310-10	4V320-10	4V330C-10	4V330E-10	4V330P-10
	4A310-08	4A320-08	4A330C-08	4A330E-08	4A330P-08	4A310-10	4A320-10	4A330C-10	4A330E-10	4A330P-10
Position and Way NO.	Two-position Five-way		Three-position Five-way			Two-position Five-way		Three-position Five-way		
Effective Sectional Area	25mm ² (CV=1.40)		18mm ² (CV=1.00)			30mm ² (CV=1.68)		18mm ² (CV=1.00)		
Model	3V310-08	3V320-08	3A310-08	3A320-08	3V310-10	3V320-10	3A310-10	3A320-10		
Position and Way NO.	Two-position Three-way				Two-position Three-way					
Effective Section Area	25mm ² (CV=1.40)				30mm ² (CV=1.68)					
Joint Pipe Bore	Air Inlet=Air Oute=Exhaust=G1/4"				Air Inlet=Air Outet=3/8" Exhaust=G1/4"					
Working Medium	40 Micron Filtered Air									
Motion Pattern	Inner Guide Type									
Working-pressure	0.15~0.8 M Pa									
Max. Pressure Resistance	1.2MPa									
Operating Temperature	5~50℃									
Voltage Range	±10%									
Power Consumption	AC: 4.5VA DC: 3W									
Insulation & Protection Class	F Class. IP65									
Wiring Form	Lead Wire or Connector Type									
Highest Action Frequency	5 Cycle / Sec									
Shortest Excitation Time	0.05 Second									

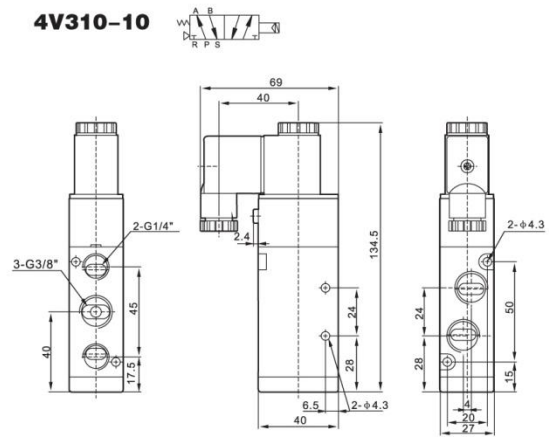
4V,3V300 Series Solenoid Valve, 4A,3A300 Series Pneumatic Control Valve

Overall Dimensions

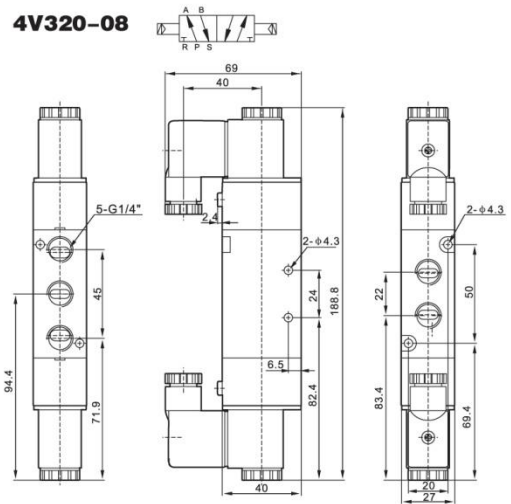
4V310-08



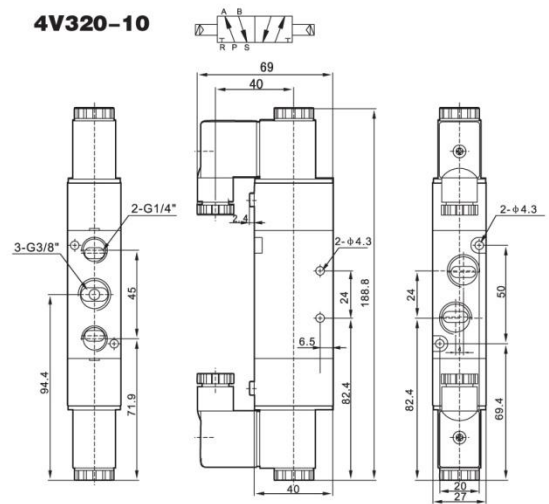
4V310-10



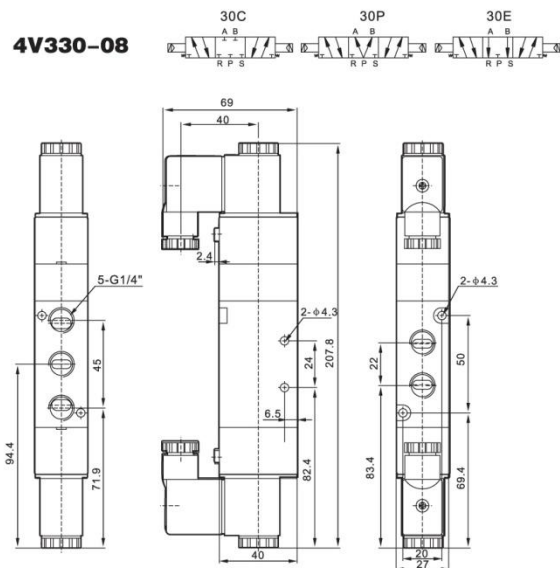
4V320-08



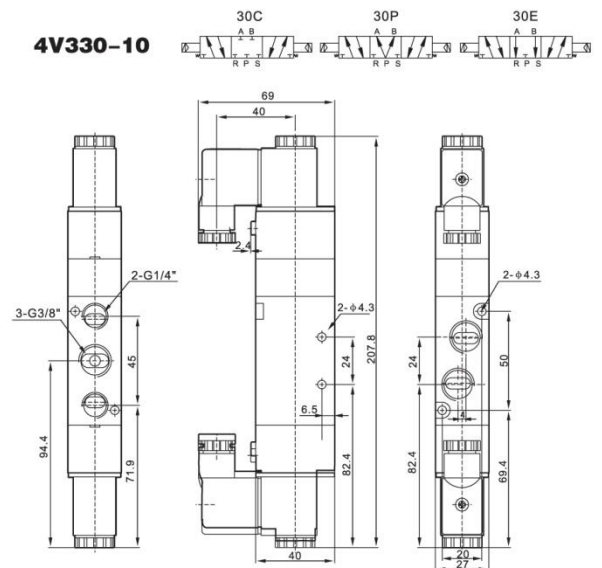
4V320-10



4V330-08

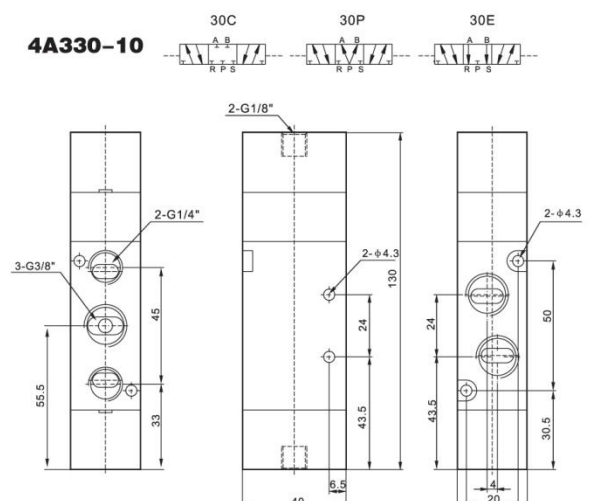
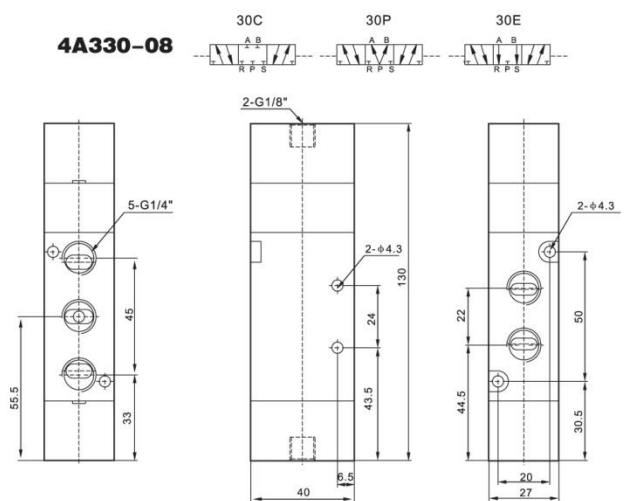
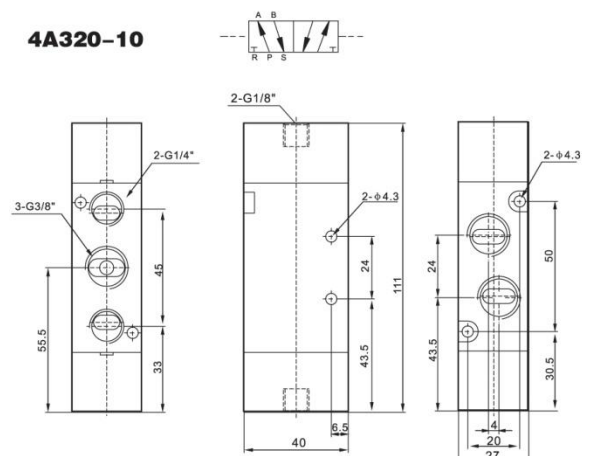
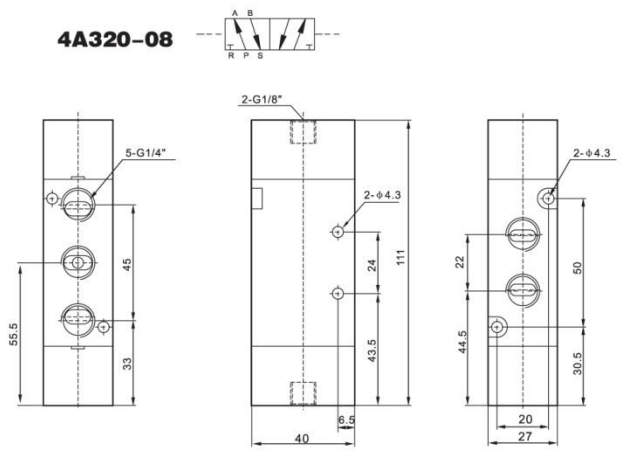
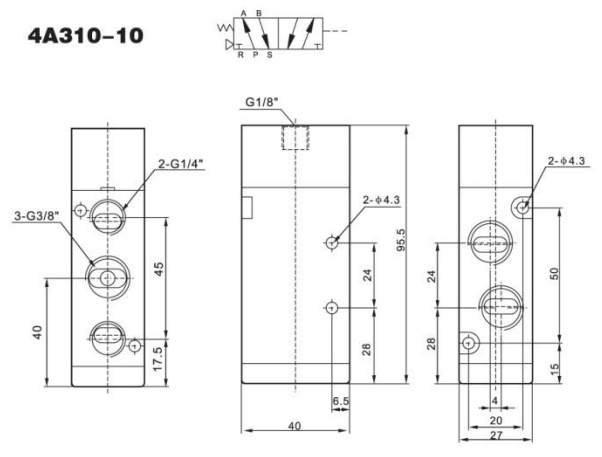
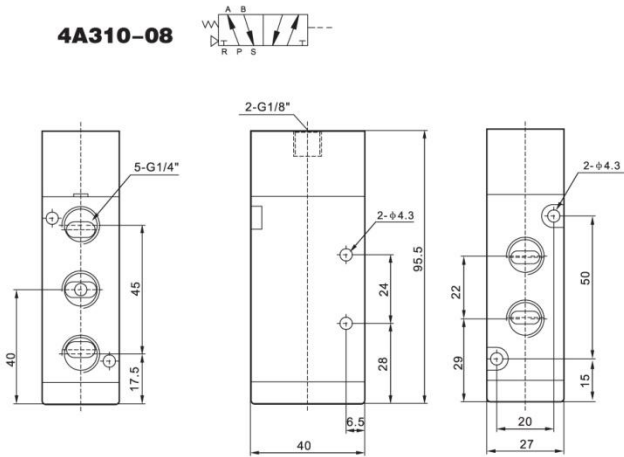


4V330-10



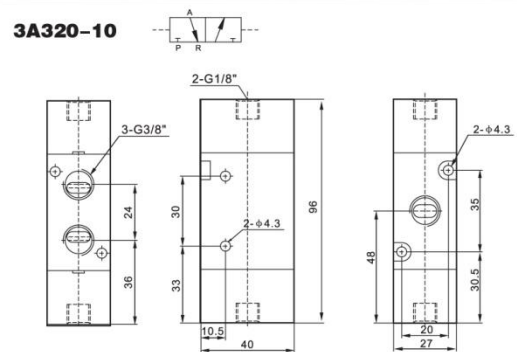
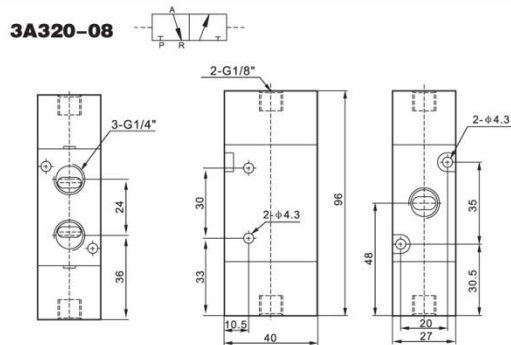
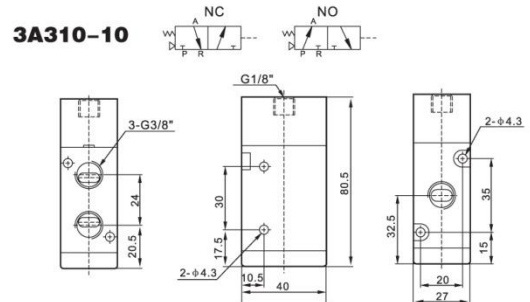
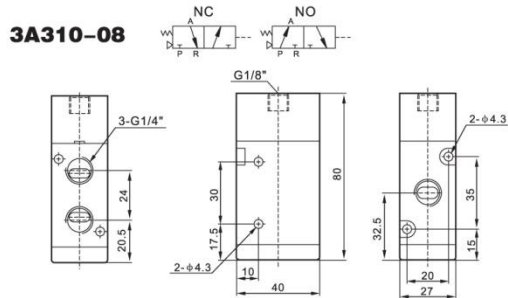
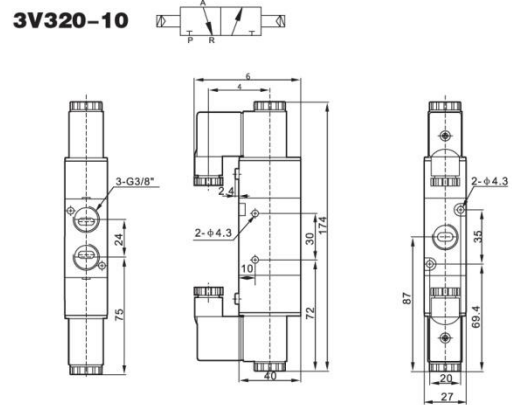
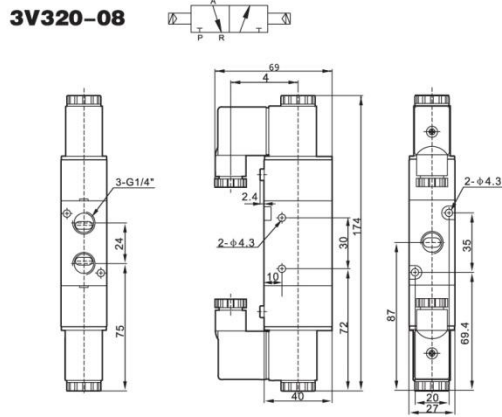
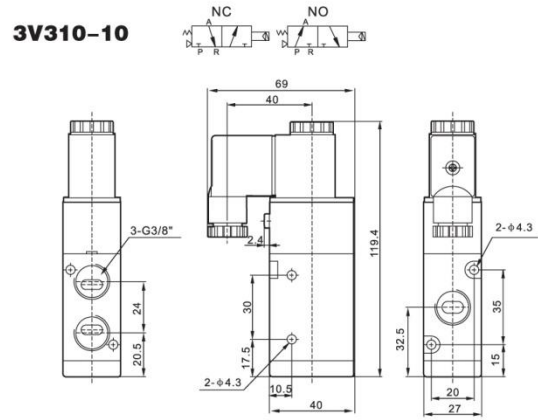
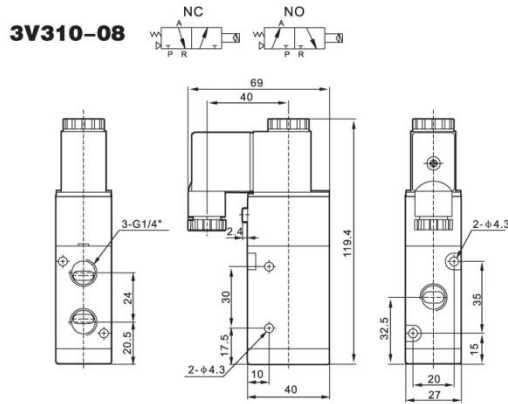
4V,3V300 Series Solenoid Valve, 4A,3A300 Series Pneumatic Control Valve

Overall Dimensions



4V,3V300 Series Solenoid Valve, 4A,3A300 Series Pneumatic Control Valve

Overall Dimensions



4M Series Plate Type Valve



4M210-08



4M310-10



4M220-08

Ordering Code

4M

Specification Code
4M:Two-position
Five-way Plate Type
Valve

2

Body Size
2:1/8" and 1/4"
Valve body
3:1/4" and 3/8"
Valve body

10

Coil and Places
10:Single-head
Double-position
20:Double-head
Double-position

06

Port Size
06:G1/8"
08:G1/4"
10:G3/8"

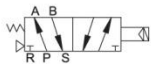
AC220V

Standard Voltage
DC12V
DC24V
AC24V 50Hz/60Hz
AC110V 50Hz/60Hz
AC220V 50Hz/60Hz
AC380V 50Hz/60Hz

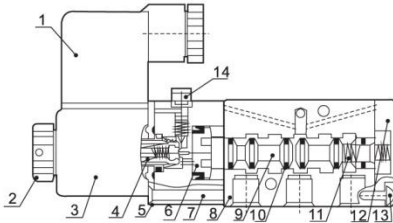
□

Wiring Form
Blank:Standard
Connector
LD:With Lighting
Connector
LD1:With Lighting
Connector
W:Lead Wire Type

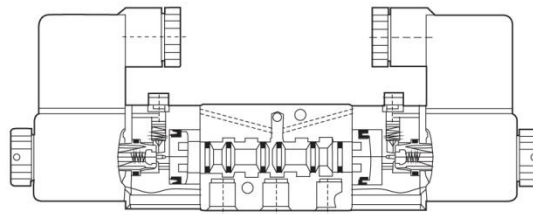
Graphic Symbol



Internal structure



4M 210~310



4M 220~320

NO	Designation	NO	Designation
1	Connector	8	Valve body
2	Nut	9	Spool
3	Coil	10	O-Ring
4	Pilot untis	11	Spring
5	Plate	12	Rear cover
6	Piston	13	Screw
7	Screw	14	Manual override

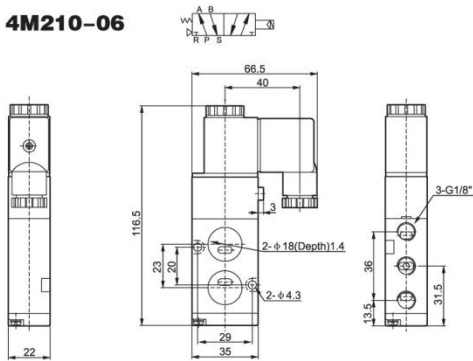
Specification

Model	4M210-06	4M220-06	4M210-08	4M220-08	4M310-08	4M320-08	4M310-10	4M320-10
Working Medium	40 Micron Filtered Air							
Motion Pattern	Inner Guide Type							
Position and Way NO.	Two-position Five-way							
Effective Section Area	14mm ² (CV=0.78)		16mm ² (CV=0.89)		25mm ² (CV=1.39)		30mm ² (CV=1.67)	
Port Size	Air Inlet=Exhaust=G1/8"		Air Inlet=G1/4"/Exhaust=G1/8"		Air Inlet=Exhaust=G1/4"		Air Inlet=G3/8"Exhaust=G1/4"	
Lubricate	Not Necessary							
Working-Pressure	0.15~0.8MPa							
Max.Pressure Resistance	1.2MPa							
Operating Temperature	5~60℃							
Voltage Range	-15%~+10%							
Power Consumption	AC380V:2.5VA,AC220V:2.0VA,AC110V:2.5VA,AC24V:3.5VA,DC24V:3.0W,DC12V:2.5W							
Insulation & Protection Class	F Class.IP65							
Wiring Form	Lead wire or Connector Type							
Highest Action Frequency	5 Cycle / Sec							
Shortest Excitation Time	0.05 Second							

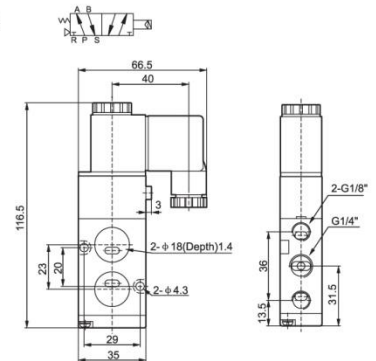
4M Series Plate Type Valve

Overall Dimensions

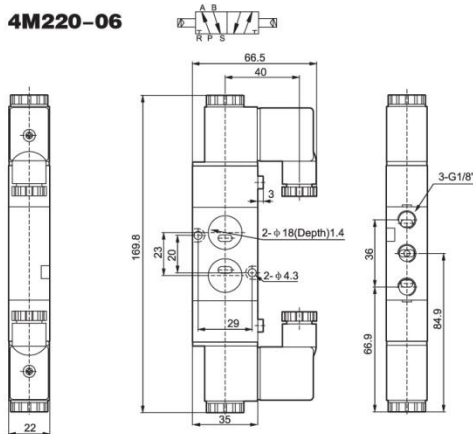
4M210-06



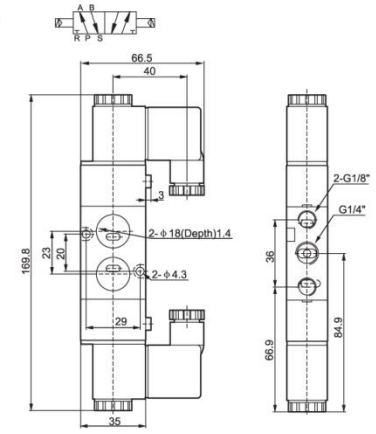
4M210-08



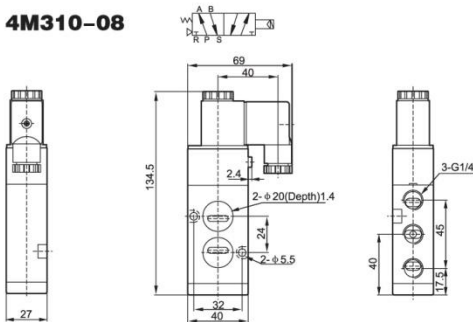
4M220-06



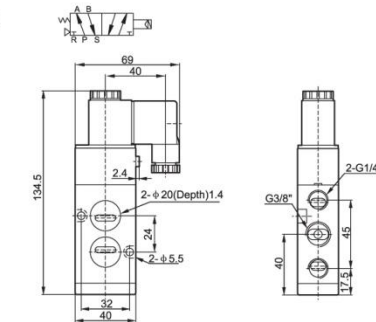
4M220-08



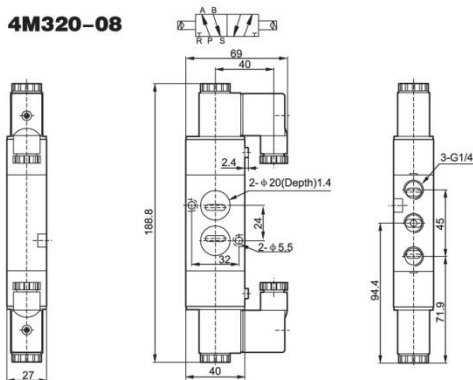
4M310-08



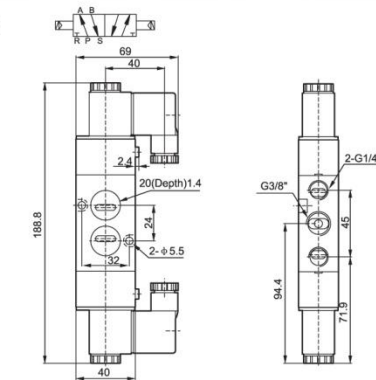
4M310-10



4M320-08



4M320-10



Base For 4V, 4A Series Valve



Base Ordering Code

4V

Series Code
4V:For 4V Series uses
4A:For 4A Series uses

100M

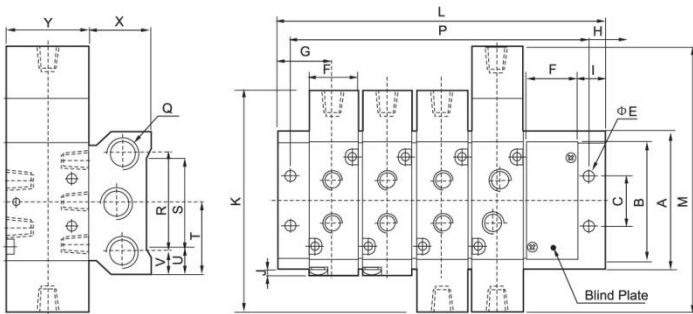
Specification Code
100M:Base for 100 Series Use
200M:Base for 200 Series Use
300M:Base for 300 Series Use
400M:Base for 400 Series Use

F

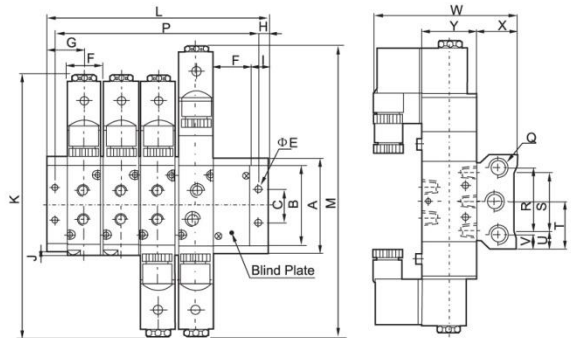
Joint Base Number
100M:Wantonly Joint
200M:Wantonly Joint
300M:Wantonly Joint
400M:Wantonly Joint

Overall Dimensions

4A Series



4V Series



Dimension Sheet(4A Series)

Model	A	B	C	E	F	G	H	I	J	K	L															
											1F	2F	3F	4F	5F	6F	7F	8F	9F	10F	11F	12F	13F	14F	15F	16F
100M-□F	58	43.2	20	4.5	18.3	19	5	10	0.8	139.4	38	57	76	95	114	133	152	171	190	209	228	247	266	285	304	323
200M-□F	61	50.7	21	4.5	22.4	23	6	12	1.2	170	46	69	92	115	138	161	184	207	230	253	276	299	322	345	368	391
300M-□F	75	64.8	26	4.5	27.3	27	6	13.5	2.5	188.8	54	82	110	138	166	194	22	250	278	306	334	362	-	-	-	-
400M-□F	104	94.5	32	5.5	34.3	31.5	7	14.5	5	221.8	63	98	133	168	203	238	273	-	-	-	-	-	-	-	-	-

Model	M	P																Q	R	S	T	U	V	W	X	Y
		1F	2F	3F	4F	5F	6F	7F	8F	9F	10F	11F	12F	13F	14F	15F	16F									
100M-□F	154.5	28	47	66	85	104	123	142	161	180	199	218	237	256	275	294	313	G1/4"	40	30	29	14	9	79	25	27
200M-□F	189	34	57	80	103	126	149	172	195	218	241	264	287	310	333	356	379	G1/4"	43	32	30.5	14.5	9	93	26	35
300M-□F	208	42	70	98	126	154	182	210	238	266	294	322	350	-	-	-	-	G3/8"	53	48	37.5	13.5	11	99.5	30	40
400M-□F	243	49	84	119	154	189	224	259	-	-	-	-	-	-	-	-	-	G1/2"	68	67	52	18.5	18	112.5	38	50

Dimension Sheet(4V Series)

Model	A	B	C	E	F	G	H	I	J	K	L															
											1F	2F	3F	4F	5F	6F	7F	8F	9F	10F	11F	12F	13F	14F	15F	16F
100M-□F	58	43.2	20	4.5	18.3	19	5	10	0.8	81	38	57	76	95	114	133	152	171	190	209	228	247	266	285	304	323
200M-□F	61	50.7	21	4.5	22.4	23	6	12	1.2	92	46	69	92	115	138	161	184	207	230	253	276	299	322	345	368	391
300M-□F	75	64.8	26	4.5	27.3	27	6	13.5	2.5	111	54	82	110	138	166	194	22	250	278	306	334	362	-	-	-	-
400M-□F	104	94.5	32	5.5	34.3	31.5	7	14.5	5	142	71	98	133	168	203	238	273	-	-	-	-	-	-	-	-	-

Model	M	P																Q	R	S	T	U	V	X	Y
		1F	2F	3F	4F	5F	6F	7F	8F	9F	10F	11F	12F	13F	14F	15F	16F								
100M-□F	96	28	47	66	85	104	123	142	161	180	199	218	237	256	275	294	313	G1/4"	40	30	29	14	9	25	27
200M-□F	111	34	57	80	103	126	149	172	195	218	241	264	287	310	333	356	379	G1/4"	43	32	30.5	14.5	9	26	35
300M-□F	130	42	70	98	126	154	182	210	238	266	294	322	350	-	-	-	-	G3/8"	53	48	37.5	13.5	11	30	40
400M-□F	163	49	84	119	154	189	224	259	-	-	-	-	-	-	-	-	-	G1/2"	68	67	52	18.5	18	38	50