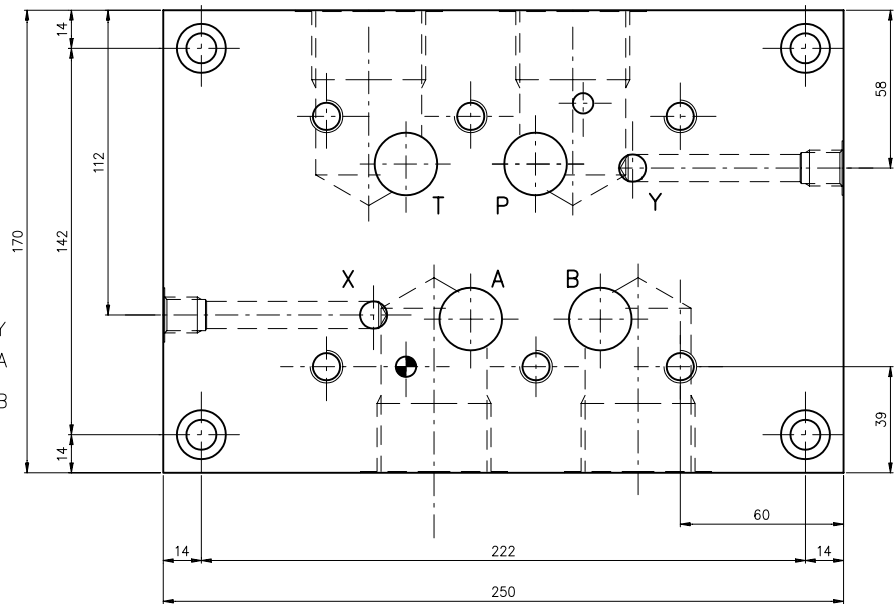
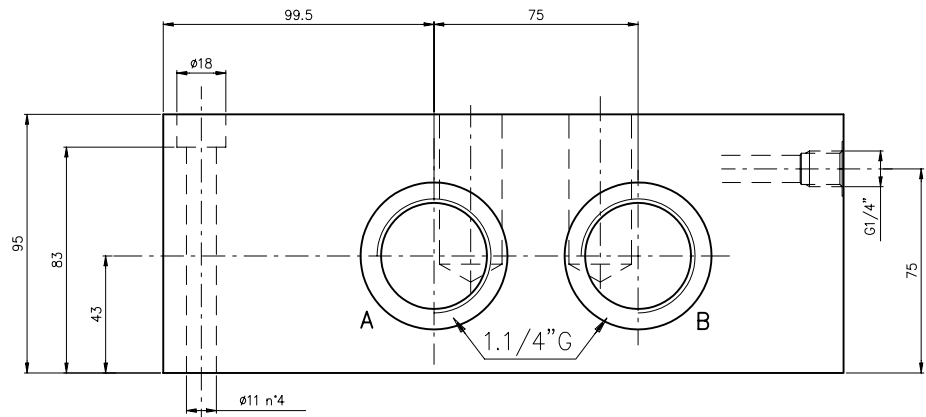


# SUBPLATE TYPE ES8A114LL

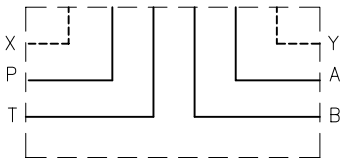
Sub plate CETOP 8 with A – B on side = 1.1/4”G

P – T on side = 1.1/4”G. Drain and pilot = 1/4”G. Weight = 27 Kg

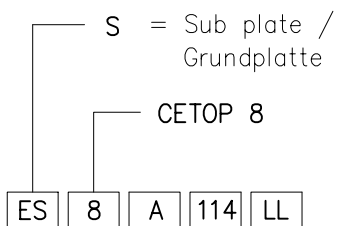
Gewicht = 27



hydraulic symbol  
Symbol



Ordering code  
Bestell-Code:



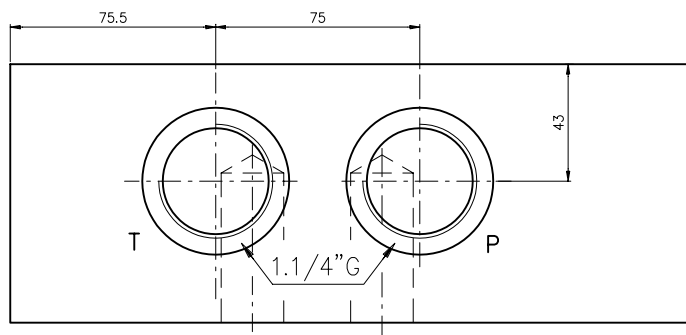
S = Sub plate /  
Grundplatte

CETOP 8

LL = Side ports – seitlich Ansc

114 = 1.1/4”G

A = Model / Modell



**CETOP 8**  
**NG 25**