**GDS****Guarnizioni** per TENUTE STATICHE
STATIC seals**TECNOLAN**

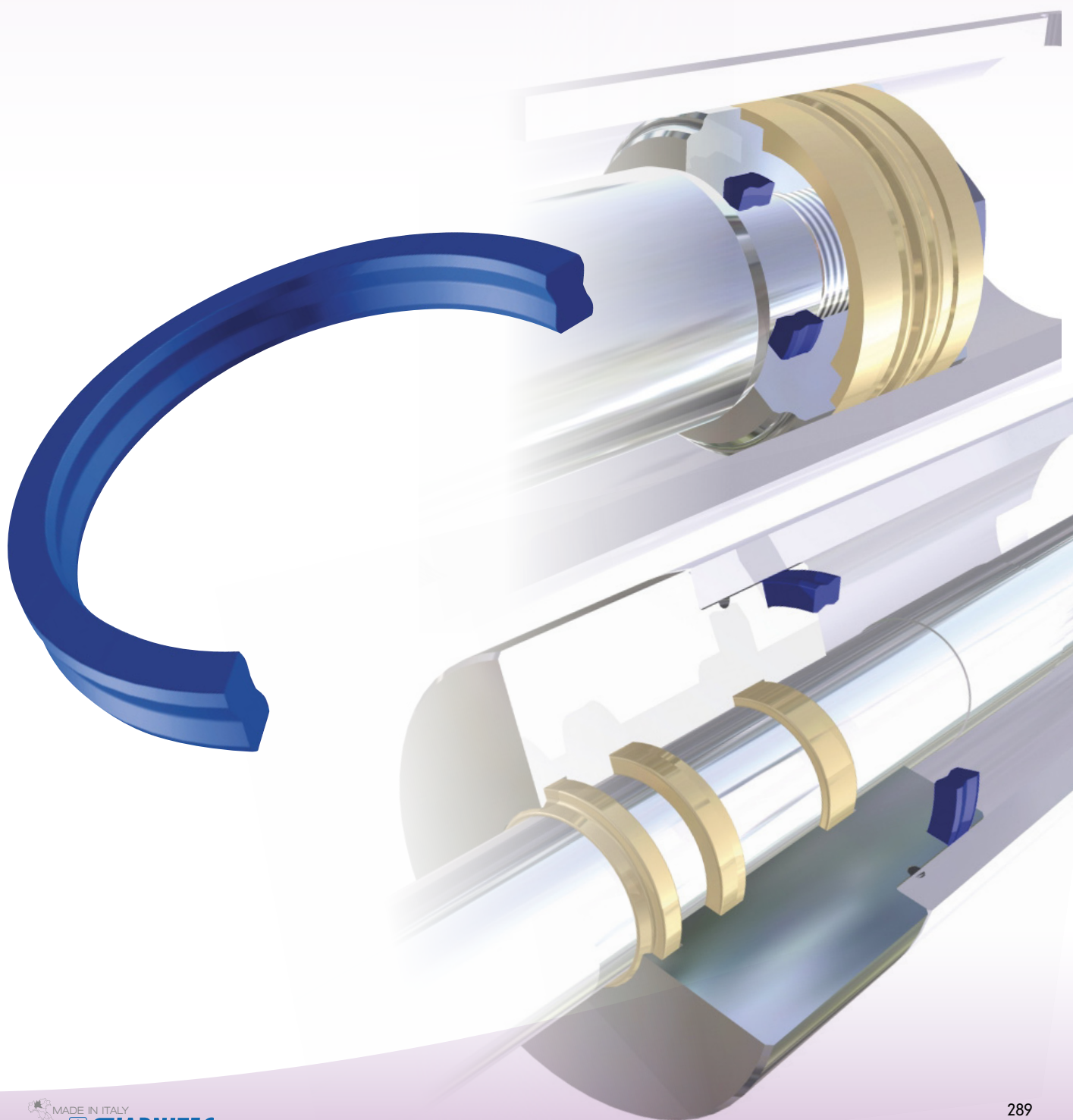
Versione standard	Standard version
Poliuretano	Polyurethane
Pressione fino a / Pressure up to	
50 MPa	
Temperatura / Temperature	
-35°C +100°C	-45°C +110°C PN 522
Applicazioni	Applications
Presse Carrelli Elevatori Cilindri Idraulici Idraulica mobile	Presses Fork Lifts Hydraulic Cylinders Mobile hydraulics



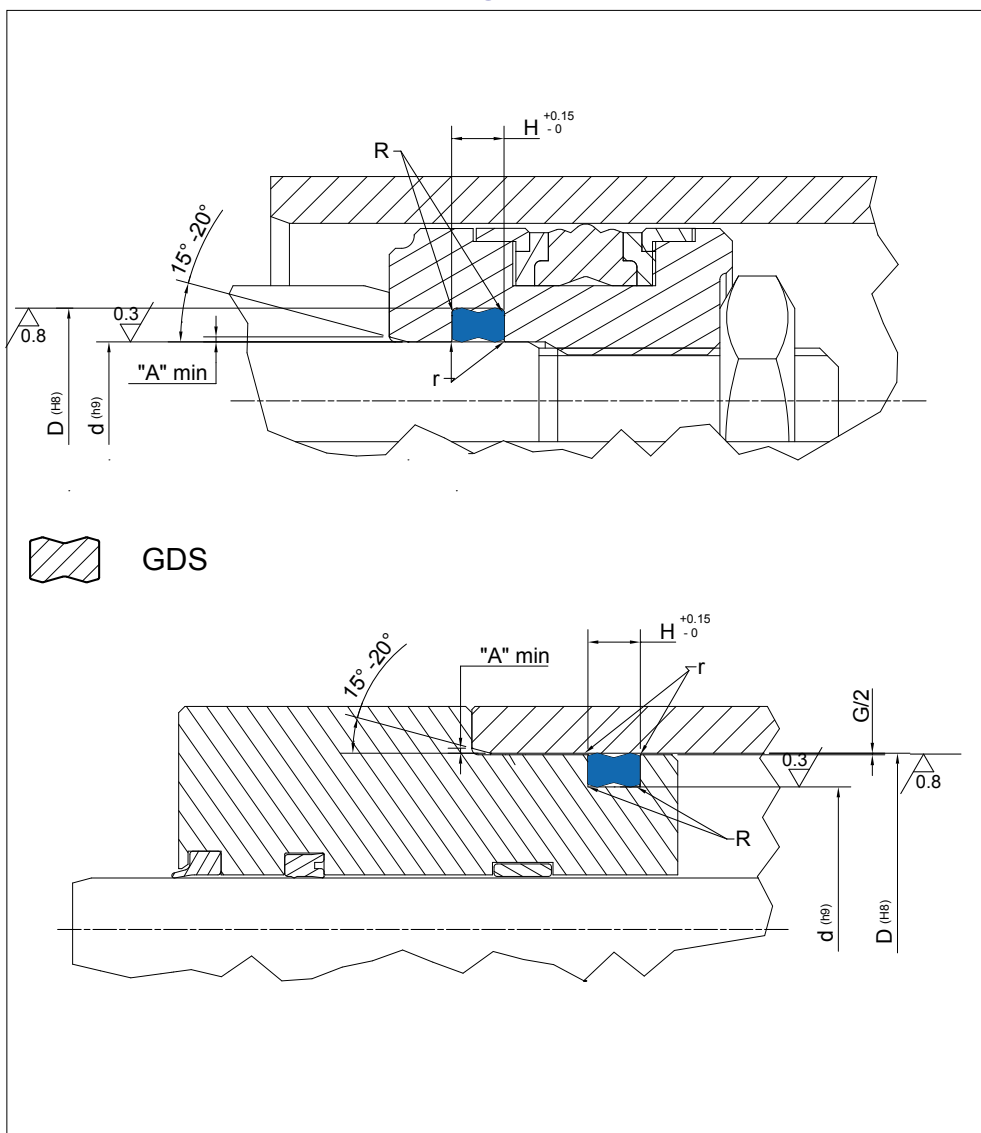
Guarnizioni per TENUTE STATICHE
STATIC seals

GDS

288÷294



GDS 2000



Static Seal design guidelines

R	0mm < d ≤ 20mm	20mm < d ≤ 50mm	50mm < d ≤ 100mm	d ≥ 100mm
	max 0.50 mm	max 0.80 mm	max 1 mm	max 1.5 mm
r	remove sharp edges: r ≤ 0.3mm			
A	1 mm	2 mm	3 mm	3 mm < A ≤ 5 mm

Operating pressure to determinate Maximum Gap Allowance: G/2

G	10 MPa	20 MPa	30 MPa	40 MPa
	0.50 mm	0.40 mm	0.25 mm	0.18 mm

PART NR	DIMENSIONI SEDI / Housing dimensions		
	D	d	H
GDS 2000	6,00	12,00	3,10
GDS 2000/1	6,00	4,60	2,40
GDS 2000/2	10,00	7,60	3,60
GDS 2000/3	11,00	8,60	2,60
GDS 2000/4	12,00	9,60	3,60
GDS 2000/5	13,80	9,20	3,10
GDS 2000/6	15,00	12,60	3,60
GDS 2000/7	15,50	13,10	3,60
GDS 2000/8	16,00	13,60	3,60
GDS 2001	16,60	12,00	3,10
GDS 2002	17,00	14,60	3,60

Guarnizioni per
TENUTE STATICHE
STATIC seals

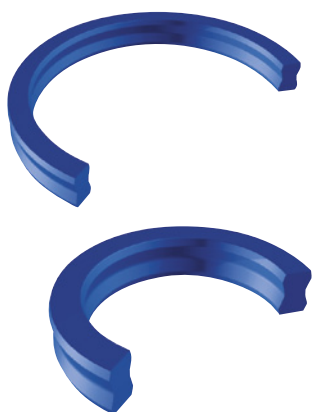
GDS 2000

PART NR	DIMENSIONI SEDI / Housing dimensions		
	D	d	H
GDS 2003	18,00	14,00	5,80
GDS 2004	19,00	15,60	4,40
GDS 2004/1	19,00	15,60	3,60
GDS 2004/2	19,00	16,60	2,60
GDS 2004/3	19,00	16,60	3,60
GDS 2005	20,00	16,00	5,80
GDS 2005/1	20,00	16,60	4,40
GDS 2005/2	20,00	16,60	3,60
GDS 2005/3	20,00	17,60	3,60
GDS 2006	20,50	17,20	5,00
GDS 2006/1	21,00	17,60	4,40
GDS 2006/2	21,00	18,60	3,60
GDS 2006/2	21,50	18,10	4,40
GDS 2006/3	21,50	19,10	2,60
GDS 2006/4	22,00	19,60	3,60
GDS 2006/5	23,00	19,60	4,40
GDS 2006/6	23,00	20,60	3,60
GDS 2007	24,00	20,00	4,80
GDS 2007/1	24,00	21,60	3,60
GDS 2007/2	26,00	22,00	4,40
GDS 2008	26,80	22,00	5,40
GDS 2008/1	28,00	23,80	5,30
GDS 2008/2	28,60	25,60	3,60
GDS 2008/3	30,00	25,10	4,40
GDS 2009	30,00	25,40	5,40
GDS 2009/8	30,00	26,00	5,00
GDS 2009/2	31,00	26,40	5,00
GDS 2009/3	32,00	27,40	5,40
GDS 2009/9	32,00	28,00	5,00
GDS 2009/4	34,00	28,40	5,30
GDS 2009/5	34,00	31,10	3,60
GDS 2009/1	35,00	30,00	4,50
GDS 2009/6	35,00	30,40	5,00
GDS 2009/7	35,50	30,90	5,00
GDS 2009/10	35,00	31,00	5,00
GDS 2010	36,00	32,00	6,20
GDS 2010/1	38,00	32,40	5,30
GDS 2010/1	40,00	33,40	4,10
GDS 2011	40,00	35,20	5,40
GDS 2012	40,00	35,40	5,40
GDS 2012/1	40,60	35,10	4,80
GDS 2012/2	40,00	36,00	5,00
GDS 2013	42,80	38,00	6,80
GDS 2013/1	43,40	37,80	6,20
GDS 2014	45,00	35,80	9,60
GDS 2015	45,00	40,00	5,40
GDS 2015/1	48,00	42,40	3,50
GDS 2015/2	48,00	43,00	4,10
GDS 2015/3	48,00	44,40	4,50
GDS 2016	50,00	40,80	9,60
GDS 2016/1	50,00	43,80	5,60
GDS 2017	50,00	44,60	6,20



Guarnizioni per
TENUTE STATICHE
STATIC seals

GDS 2000



PART NR	DIMENSIONI SEDI / Housing dimensions		
	D	d	H
GDS 2017/3	50,00	45,40	3,90
GDS 2017/5	50,00	45,40	5,40
GDS 2017/1	50,00	45,00	5,60
GDS 2017/2	52,00	42,00	5,60
GDS 2017/4	55,00	45,80	9,80
GDS 2018	55,00	49,60	6,20
GDS 2019	55,00	49,90	5,30
GDS 2019/1	55,00	50,00	6,70
GDS 2020	55,00	51,00	3,50
GDS 2021	57,00	52,20	4,10
GDS 2021/5	58,00	50,00	9,00
GDS 2021/1	58,00	52,60	4,10
GDS 2021/2	58,00	53,40	4,00
GDS 2021/3	58,50	54,50	3,30
GDS 2021/6	60,00	50,80	9,70
GDS 2021/4	60,00	53,60	5,60
GDS 2022	60,00	54,40	5,80
GDS 2023	60,00	54,60	6,20
GDS 2024	63,00	53,80	9,60
GDS 2025	63,00	56,60	6,40
GDS 2026	63,00	57,40	4,80
GDS 2027	63,00	57,60	6,20
GDS 2027/2	63,00	58,40	5,40
GDS 2027/1	64,00	59,00	3,30
GDS 2028	65,00	59,40	5,00
GDS 2029	65,00	59,60	6,20
GDS 2030	65,00	60,00	5,00
GDS 2030/2	65,50	61,10	5,00
GDS 2030/1	68,00	62,70	5,00
GDS 2030/3	69,60	65,00	3,90
GDS 2031	71,00	65,00	6,00
GDS 2031/1	70,00	64,60	6,20
GDS 2032	70,00	65,00	5,00
GDS 2032/1	70,00	66,40	6,20
GDS 2033	72,00	66,40	5,00
GDS 2033/1	72,80	65,70	5,00
GDS 2033/2	73,50	70,00	5,00
GDS 2033/3	74,60	70,00	3,80
GDS 2033/4	75,00	65,80	9,70
GDS 2034	75,00	69,40	5,30
GDS 2035	75,00	69,60	6,20
GDS 2036	76,60	72,00	4,80
GDS 2036/1	77,00	70,80	6,20
GDS 2037	78,00	73,00	5,00
GDS 2037/1	70,00	70,80	9,00
GDS 2038	80,00	70,80	9,70
GDS 2039	80,00	73,60	6,40
GDS 2040	80,00	73,80	6,90
GDS 2041	80,00	74,40	5,30
GDS 2041/5	80,00	74,60	6,20
GDS 2041/3	80,00	75,40	5,40
GDS 2041/4	80,00	76,00	3,60

Guarnizioni per
TENUTE STATICHE
STATIC seals

GDS 2000

PART NR	DIMENSIONI SEDI / Housing dimensions		
	D	d	H
GDS 2041/2	82,00	76,90	3,00
GDS 2041/1	85,00	78,60	6,40
GDS 2042	85,00	79,40	5,30
GDS 2042/2	85,00	79,60	6,20
GDS 2042/1	85,10	80,50	3,90
GDS 2043	90,00	81,40	9,00
GDS 2044	90,00	83,00	6,50
GDS 2045	90,00	84,40	4,80
GDS 2045/1	91,60	84,60	6,30
GDS 2045/6	93,00	87,40	5,30
GDS 2045/2	95,00	88,30	4,40
GDS 2045/3	95,00	88,30	6,90
GDS 2045/9	95,00	86,40	9,00
GDS 2045/7	95,00	89,40	6,20
GDS 2045/8	97,00	91,40	4,80
GDS 2045/4	100,00	90,00	10,50
GDS 2045/5	100,00	90,20	9,00
GDS 2046	100,00	90,80	9,70
GDS 2047	100,00	91,60	8,60
GDS 2048	100,00	91,40	9,00
GDS 2049	100,00	93,80	6,90
GDS 2049/1	101,60	89,20	9,00
GDS 2049/4	102,00	95,80	6,20
GDS 2049/5	105,00	96,40	9,00
GDS 2049/2	108,80	101,60	6,00
GDS 2049/3	110,00	100,50	9,00
GDS 2050	110,00	101,40	9,00
GDS 2050/1	110,00	100,80	9,70
GDS 2050/8	110,20	100,60	9,00
GDS 2050/6	114,00	107,80	6,20
GDS 2050/9	115,00	106,40	9,00
GDS 2050/9	115,00	106,60	8,60
GDS 2050/3	120,10	110,00	9,00
GDS 2050/2	120,00	111,40	9,00
GDS 2050/4	120,10	114,40	9,00
GDS 2050/5	120,10	113,00	6,30
GDS 2050/9	120,20	110,60	9,00
GDS 2051	125,00	115,80	9,70
GDS 2052	125,00	116,40	9,00
GDS 2053	125,00	116,60	8,60
GDS 2053/1	130,00	121,40	9,00
GDS 2053/2	135,00	123,40	12,30
GDS 2054	140,00	128,40	12,30
GDS 2054/1	140,00	130,80	9,70
GDS 2055	140,00	131,60	8,60
GDS 2055/1	142,00	132,00	10,50
GDS 2056	150,00	138,40	12,30
GDS 2056/2	150,00	140,80	9,70
GDS 2056/1	150,00	141,60	8,60
GDS 2057	160,00	148,40	12,30
GDS 2057/2	160,00	150,80	9,70
GDS 2057/1	162,00	152,00	10,50



