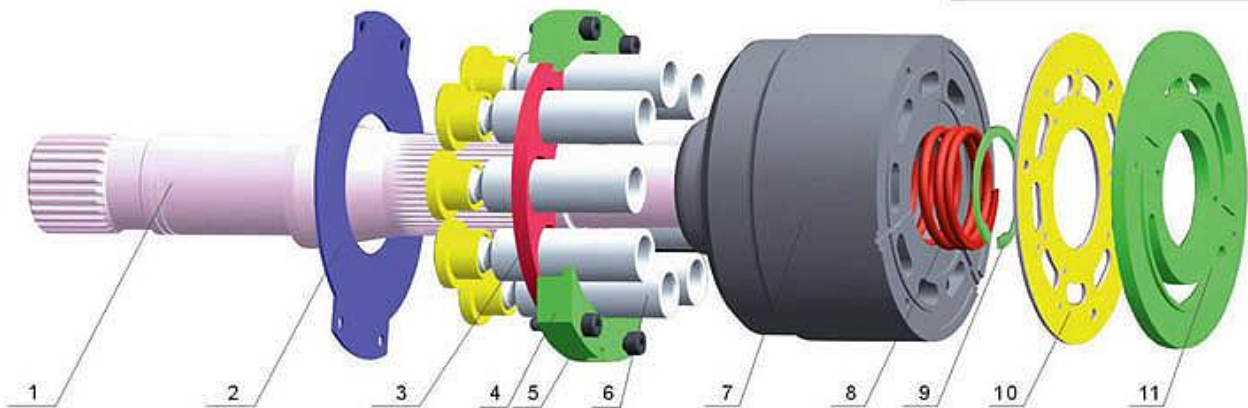


V30D95-250



ITEM	DESCRIPTION	QUANTITY/SET
1	DRIVE SHAFT	1
2	THRUST PLATE	1
3	RETAINER PLATE	1
4	RETAINER	2
5	SOCKET BOLT	4
6	PISTON SHOE	9
7	CYLINDER BLOCK	1
8	COIL SPRING	1
9	SNAP RING	1
10	BEARING PLATE	1
11	VALVE PLATE	1