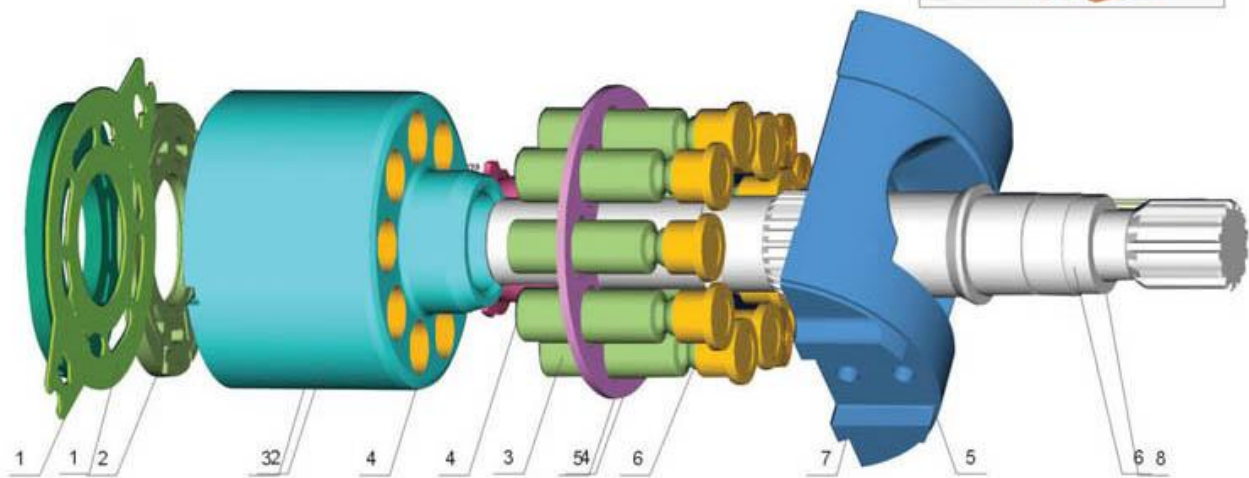


90/30-250



ITEM	DESCRIPTION	QUANTITY/SET
1	VALVE PLATE L	1
	VALVE PLATE R	1
	VALVE PLATE M	1
2	CYLINDER BLOCK	1
3	PISTON SHOE	9
4	RETAINER PLATE	1
5	SWASH PLATE	4
6	DRIVE SHAFT PUMP	1
7	DRIVE SHAFT MOTOR	2
8	SADDLE BEARING	2
9	BEARING SEAT	2