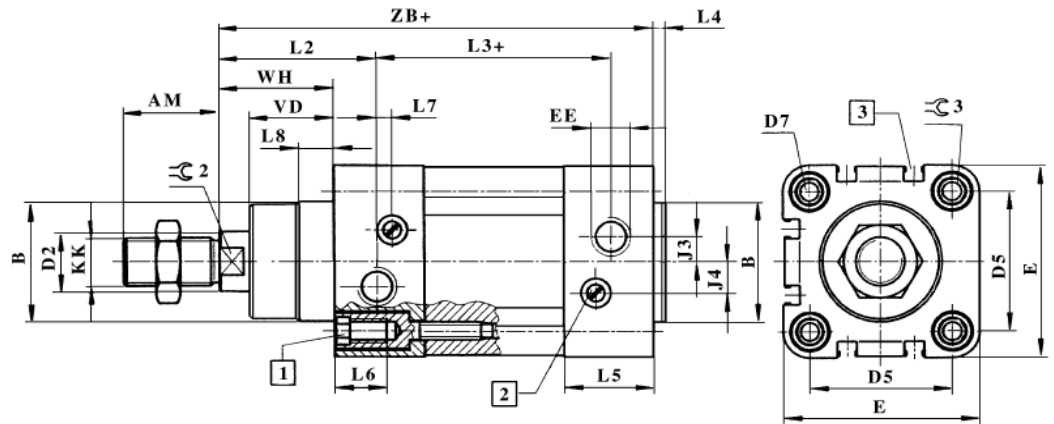


## SC2M type pneumatic cylinders ISO6431

### DNC Series



bore mm	AM	B φ d <sub>11</sub>	D <sub>2</sub> φ f <sub>s</sub>	D <sub>5</sub>	D <sub>7</sub>	E	EE	J <sub>3</sub>	J <sub>4</sub>	KK	L <sub>2</sub>	L <sub>3</sub>	L <sub>4</sub>	L <sub>5</sub>	L <sub>6</sub>	L <sub>7</sub>	L <sub>8</sub>	⌀ <sub>2</sub>	⌀ <sub>3</sub>	VD	WH ± 1	ZB +0.8
32	22	30	12	32.5	M6	45	G1/8	6	5.2	M10x1.25	41.6	62.8	4	25.1	16	3.3	10	10	6	18	26	120
40	24	35	16	38	M6	54	G1/4	8	6	M12x1.25	44	77	4	29.6	16	3.6	10.5	13	6	21.5	30	135
50	32	40	20	46.5	M8	64	G1/4	10	8.5	M16x1.5	51	78	4	29.6	17	5.1	11.5	17	8	28	37	143
63	32	45	20	56.5	M8	75	G3/8	12.4	10	M16x1.5	54	87	4	35.6	17	6.6	15	17	8	28.5	37	158
80	40	45	25	72	M10	93	G3/8	12.5	8	M20x1.5	62.4	95.2	4	35.9	17	10.5	15.7	22	6	34.7	46	174
100	40	55	25	89	M10	110	G1/2	11.8	10	M20x1.5	69.8	100.4	4	38.8	17	8	19.2	22	6	38.2	51	189
125	54	60	32	110	M12	134	G1/2	13	8	M27x2	83	124	6	44.7	22	14	20.5	27	8	46	65	225

ZB+stroke

L3+stroke