
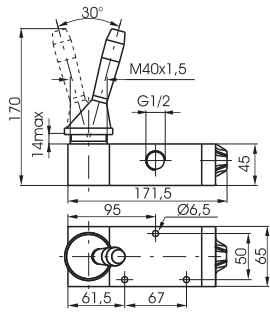

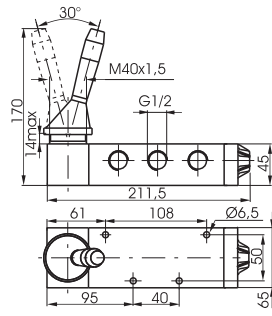

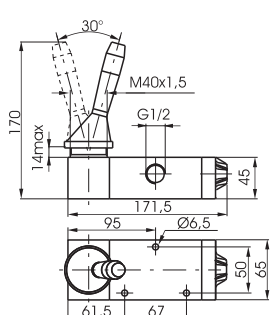

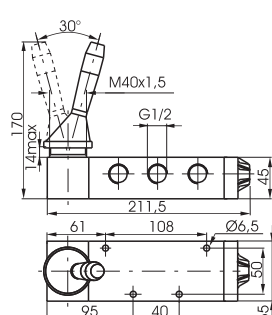

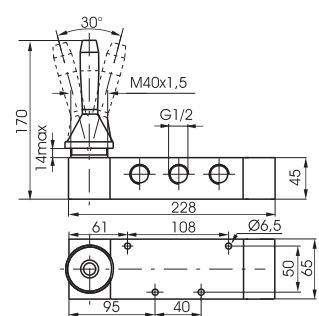


1

Lever lateral-Spring		3/2	Ordering code	5/2	Lever lateral-Spring		
 			<b>212.1.9.1</b> TYPE 32 = 3 ways 52 = 5 ways	 			
							Weight gr. 1.480
<b>Operational characteristics</b>	Fluid	Max working pressure	Operating Temperature		Flow rate at 6 bar with $\Delta p=1$	Orifice size	Working port size
	Filtered air, with or without lubrication	10 bar	Min. -5°C	Max. +70°C	3500 NI/min	mm 15	G 1/2"

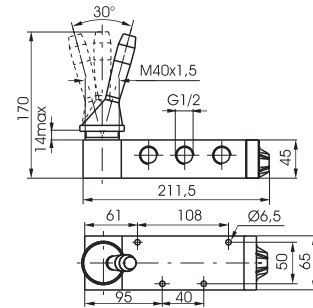
Lever lateral-2 positions		3/2	Ordering code	5/2	Lever lateral-2 positions		
 			<b>212.1.9</b> TYPE 32 = 3 ways 52 = 5 ways	 			
							Weight gr. 1.460
<b>Operational characteristics</b>	Fluid	Max working pressure	Operating Temperature		Flow rate at 6 bar with $\Delta p=1$	Orifice size	Working port size
	Filtered air, with or without lubrication	10 bar	Min. -5°C	Max. +70°C	3500 NI/min	mm 15	G 1/2"

Lever lateral-Spring 3 positions				5/3			
Ordering code <b>212.53.F.9.1</b>		 					
FUNCTION F 31 = Closed centres 32 = Open centres							
Weight gr. 2.100							
<b>Operational characteristics</b>	Fluid	Max working pressure	Operating Temperature		Flow rate at 6 bar with $\Delta p=1$	Orifice size	Working port size
	Filtered air, with or without lubrication	10 bar	Min. -5°C	Max. +70°C	3000 NI/min	mm 15	G 1/2"

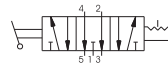
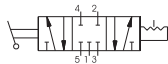
Lever lateral Ø40-3 positions

5/3

Ordering code
<b>212.53.F.9</b>
FUNCTION
<b>F</b> 31 = Closed centres
32 = Open centres



Weight gr. 1.765



Operational characteristics	Fluid	Max working pressure	Operating Temperature		Flow rate at 6 bar with $\Delta p=1$	Orifice size	Working port size
	Filtered air, with or without lubrication	10 bar	Min. -5°C	Max. +70°C	3000 Nl/min	mm 15	G 1/2"

1