
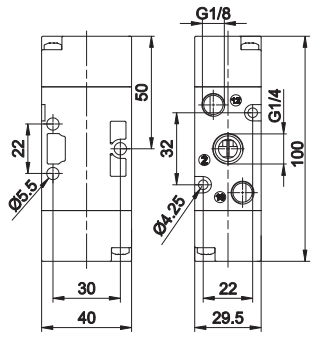

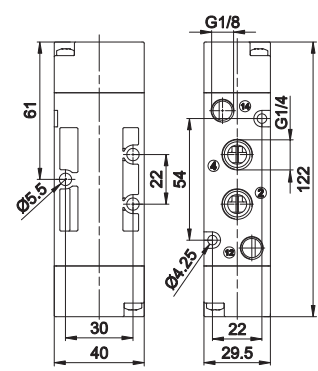
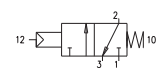
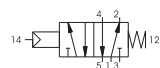

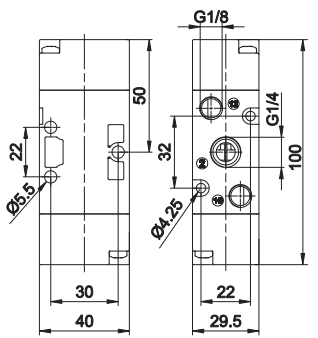

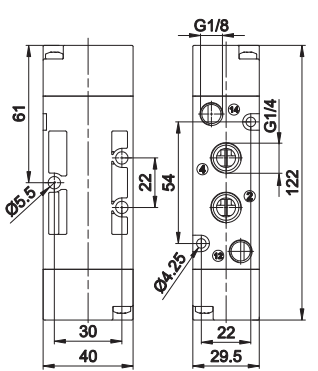
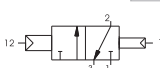




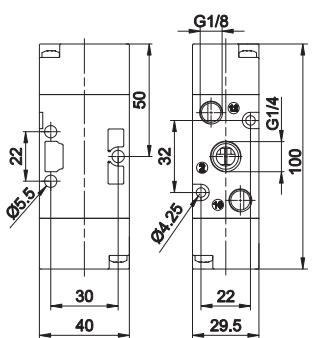

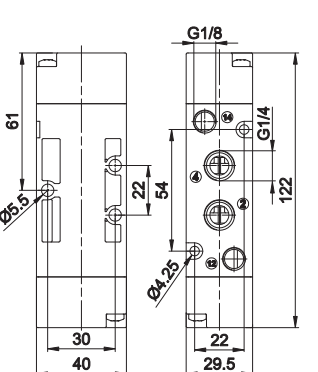
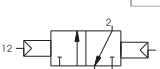
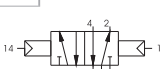
1

<b>Pneumatic-Spring</b>	3/2	Ordering code <b>T224.11.1</b>	5/2	<b>Pneumatic-Spring</b>			
 		<table border="1" style="width:100%; border-collapse: collapse;"> <tr><td>TYPE</td></tr> <tr><td>32 = 3 ways</td></tr> <tr><td>52 = 5 ways</td></tr> </table>	TYPE	32 = 3 ways	52 = 5 ways		 
TYPE							
32 = 3 ways							
52 = 5 ways							
Weight gr. 110 Minimum operating pressure 2,5 bar							

Operational characteristics	Fluid	Max working pressure	Operating temperature		Flow rate at 6 bar with $\Delta p=1$	$\varnothing$ orifice size	Working port size	Pilot port size
	Filtered air, with or without lubri-	10 bar	Min. -5°C	Max. +50°C	1050 NI/min	mm 8,5	G 1/4"	G 1/8"

<b>Pneumatic-Differential (external)</b>	3/2	Ordering code <b>T224.11.12</b>	5/2	<b>Pneumatic-Differential (external)</b>			
 		<table border="1" style="width:100%; border-collapse: collapse;"> <tr><td>TYPE</td></tr> <tr><td>32 = 3 ways</td></tr> <tr><td>52 = 5 ways</td></tr> </table>	TYPE	32 = 3 ways	52 = 5 ways		 
TYPE							
32 = 3 ways							
52 = 5 ways							
Weight gr. 110 Minimum operating pressure 2 bar							

Operational characteristics	Fluid	Max working pressure	Operating temperature		Flow rate at 6 bar with $\Delta p=1$	$\varnothing$ orifice size	Working port size	Pilot port size
	Filtered air, with or without lubri-	10 bar	Min. -5°C	Max. +50°C	1050 NI/min	mm 8,5	G 1/4"	G 1/8"

<b>Pneumatic-Pneumatic</b>	3/2	Ordering code <b>T224.11.11</b>	5/2	<b>Pneumatic-Pneumatic</b>			
 		<table border="1" style="width:100%; border-collapse: collapse;"> <tr><td>TYPE</td></tr> <tr><td>32 = 3 ways</td></tr> <tr><td>52 = 5 ways</td></tr> </table>	TYPE	32 = 3 ways	52 = 5 ways		 
TYPE							
32 = 3 ways							
52 = 5 ways							
Weight gr. 110 Minimum operating pressure 2 bar							

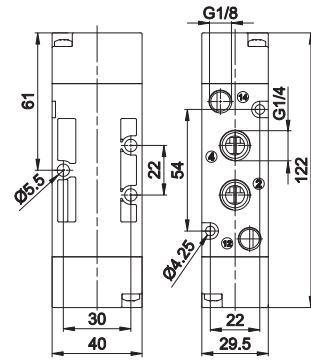
Operational characteristics	Fluid	Max working pressure	Operating temperature		Flow rate at 6 bar with $\Delta p=1$	$\varnothing$ orifice size	Working port size	Pilot port size
	Filtered air, with or without lubri-	10 bar	Min. -5°C	Max. +50°C	1050 NI/min	mm 8,5	G 1/4"	G 1/8"



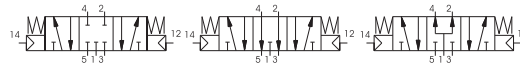
**Pneumatic-Pneumatic 3 positions**

5/3

Ordering code
<b>T224.53.F.11.11</b>
FUNCTION
<b>F</b> 31 = Closed centres
32 = Open centres
33 = Pressured centres



Weight gr. 160  
Minimum operating pressure 3 bar



Operational characteristics	Fluid	Max working pressure	Operating temperature		Flow rate at 6 bar with $\Delta p=1$	Ø orifice size	Working port size	Pilot port size
	Filtered air, with or without lubri-		Min. -5°C	Max. +50°C				
		10 bar			900 NI/min	mm 8,5	G 1/4"	G 1/8"

