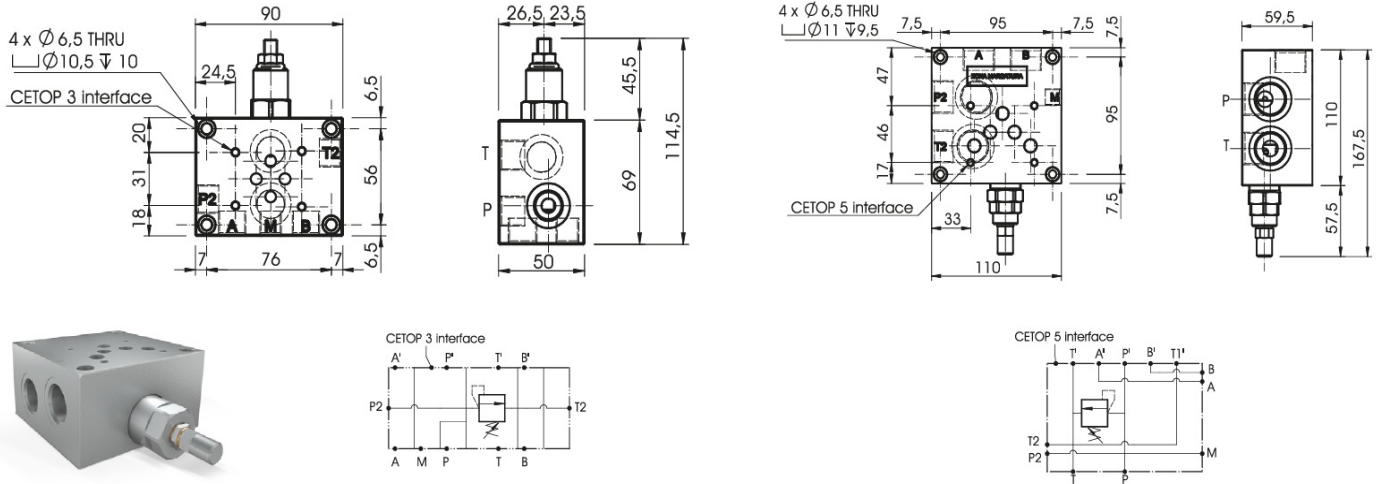


BASSETTA CON VALVOLA DI MASSIMA CETOP 3 E CETOP 5
CETOP 3 AND CETOP 5 RELIEF SUBPLATE



CODICE CODE	SIGLA TYPE	PORTATA MAX MAX FLOW	PRESSIONE MAX MAX PRESSURE	ABPT GAS	M GAS	MAT
BS030	VMP NG6 CETOP 3	40	300	G 3/8"	G 1/4"	STEEL
BS050	VMP NG10 CETOP 5	80	300	G 3/4"	G 1/4"	ALU

PRESSURE RANGE BS030: 10 - 70 BAR, 20 - 220 BAR, 80 - 300 BAR
PRESSURE RANGE BS050: 10 - 120 BAR, 50 - 300 BAR

DP094492, DP094493