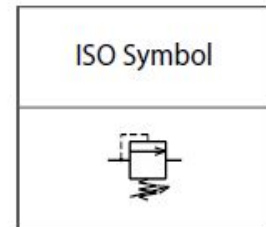
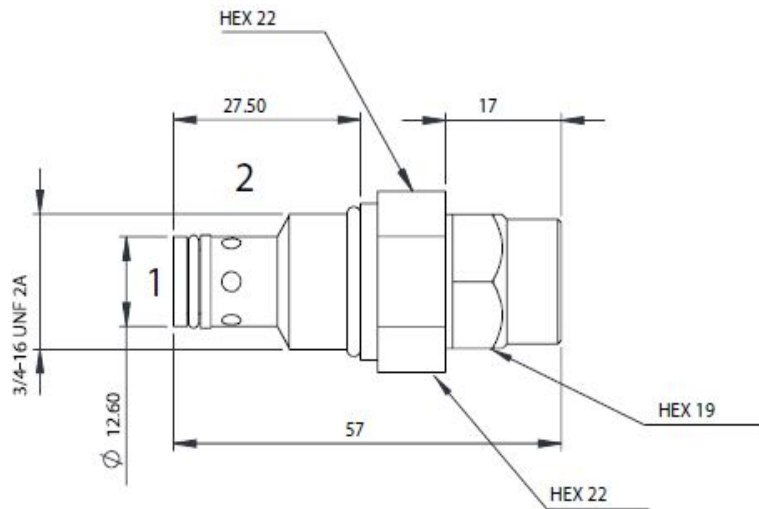


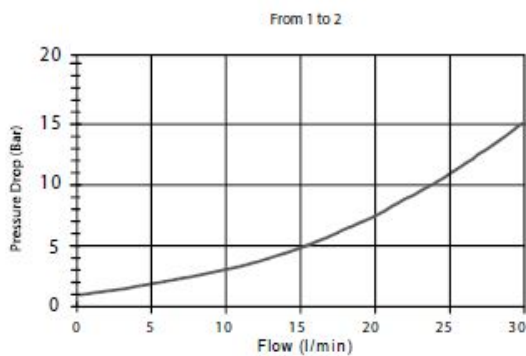
RELIEF VALVE 3/4-16 UNF SAE-8, DP091065

Main Features

Below the achievement of the preset crack pressure at port 1, the valve prevents flow from 1 to 2. Above of it, the valve allows flow from 1 to 2, ensuring the safety of the system.



Performance



Technical specification

Satek Ordering Code	VRE01A
Nominal Flow	30 l/min
Rated Operating Pressure	320 bar
Working Range	10 ÷ 350 bar
Viscosity Range	from 15 to 67 cSt
Temperature Range	-40° to 120°C
Weight	0.094 kg
Cartridge Torque	30 Nm
Coil Nut Torque	4 - 5 Nm
Cavity	SAE08 (3/4-16 UNF 2B)