

PRESA DI FORZA A COMANDO PNEUMATICO

PNEUMATIC CLUTCH POWER TAKE-OFF

CODICE PTO
PTO CODE

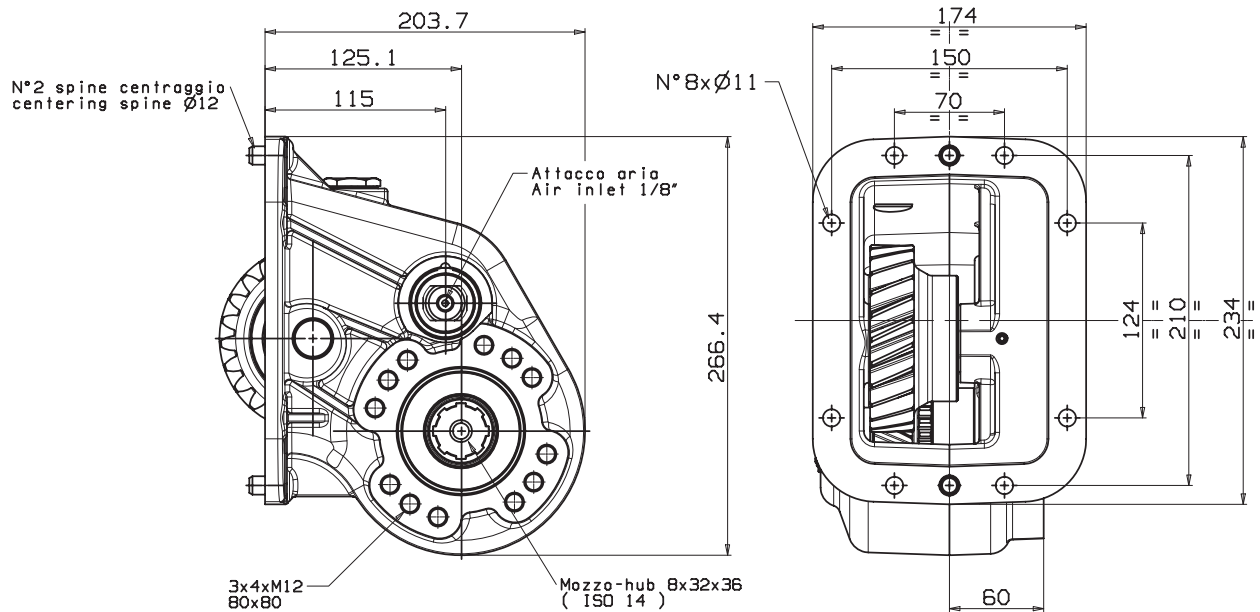
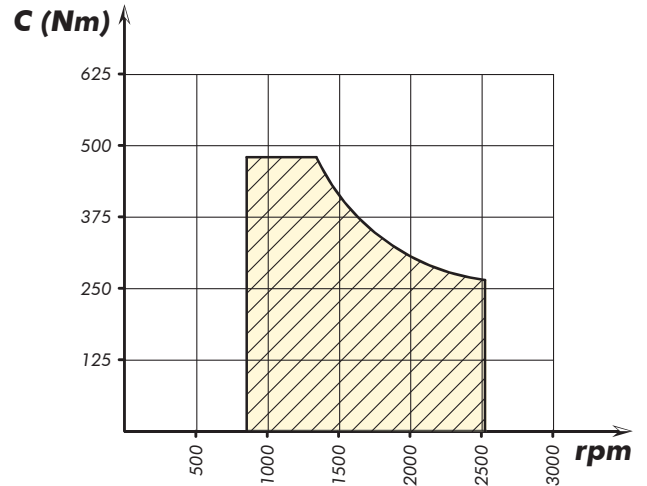
28-23

CAMBIO
GEARBOX

SCANIA



DIAGRAMMA DI UTILIZZO WORKING CONDITION



Tipo cambio Gearbox	Codice PTO PTO code	Versione Version	Giri pto a 1000 giri motore Pto ratio@1000 eng.rpm		Coppia massima Max torque Nm	Lato montaggio Mounting side	Uscita Output	Rotazione Rotation	Kit di montaggio Mounting kit
			NORM.	VEL.					
GRS 900 GRS 920	28-23-175	17	1260	1547	480	Dx Right	Poster. Rear	Ora. Cw	154-3-6041

pag.1



O.M.F.B. S.p.A. Hydraulic Components
We reserve the right to make any changes without notice.
Edition 2009.01 No reproduction, however partial, is permitted.
Via Cave, 7/9 25050 Provaglio d'Iseo (Brescia) Italy Tel.: +39.030.9830611
Fax: +39.030.9839207-208 Internet:www.omfb.it e-mail:info@omfb.it

COMPANY
WITH QUALITY SYSTEM
CERTIFIED BY DNV
ISO 9001/2000