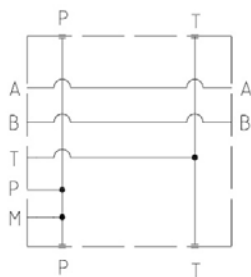
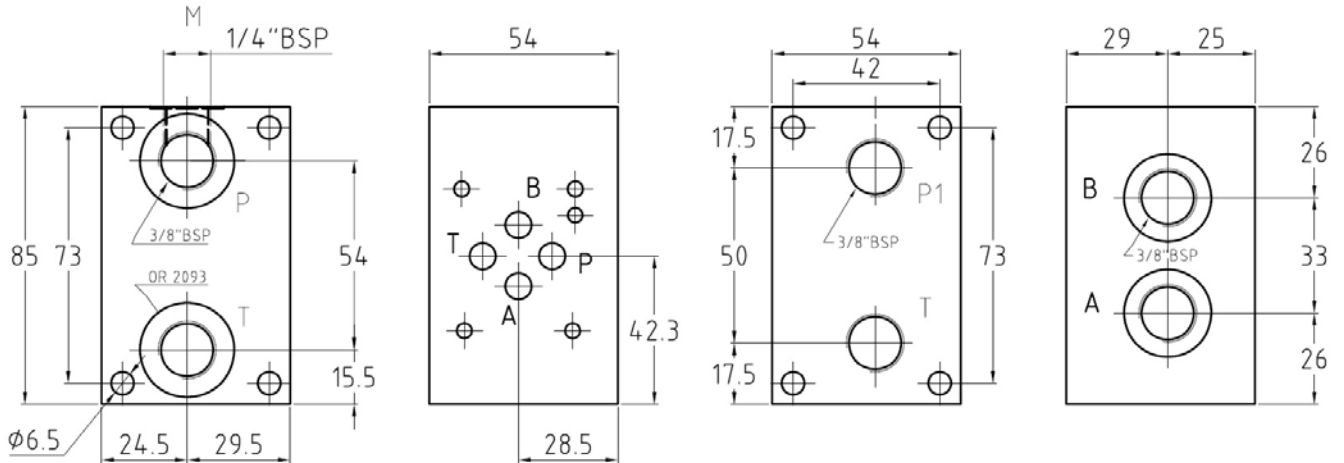
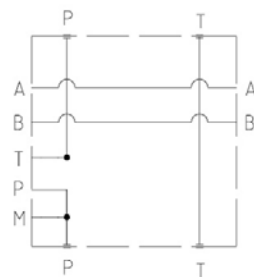


PC34LI Intermediste element Cetop 03

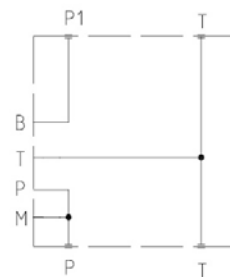
Intermediate element 4 tie-rods version



standard version
parallel conn.



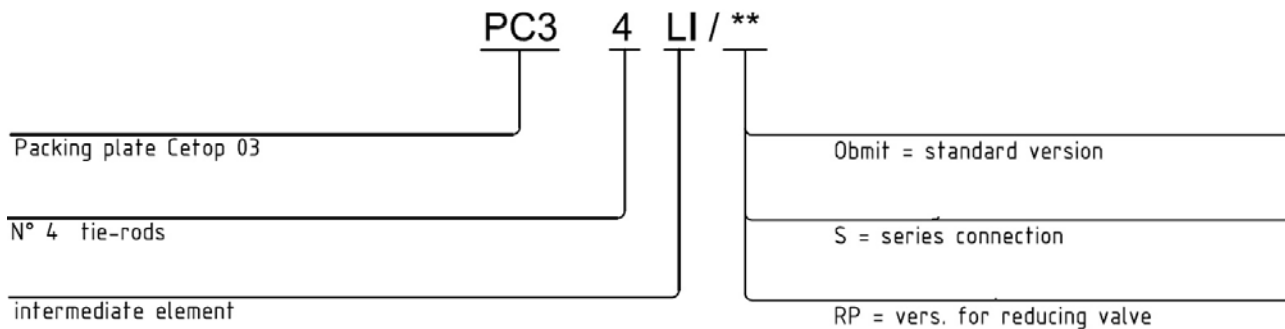
symbol S
series conn.



symbol RP

Weight 1,5 kg

ordering code



DP035080 DP035079