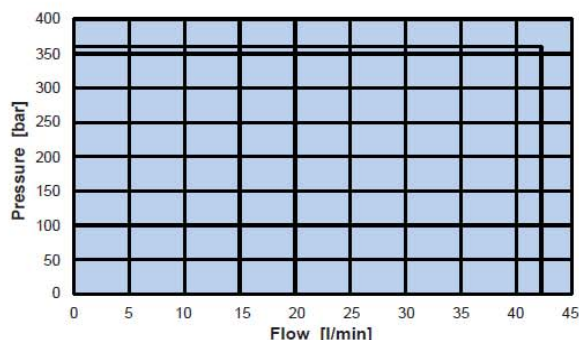
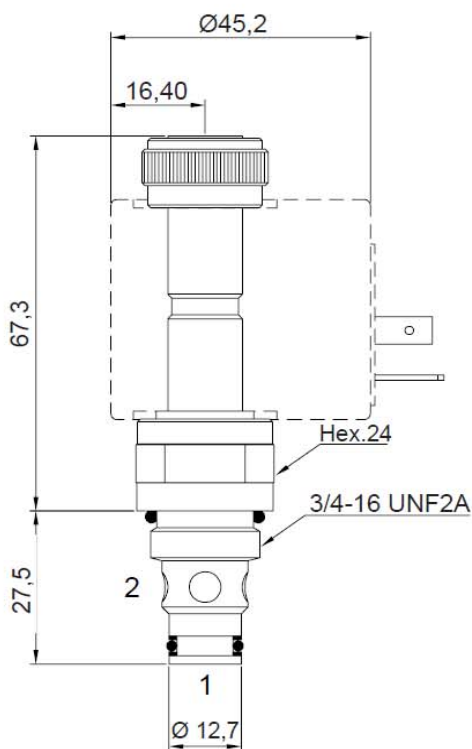
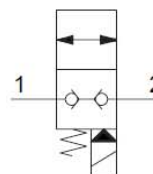


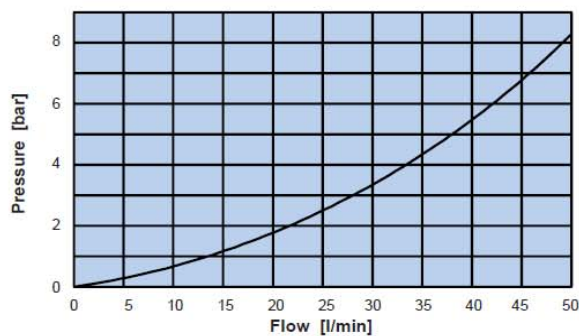
2 WAYS 2 POSITIONS ELECTRIC VALVE, PILOT POPPET OPERATED NC

- Flow40 l/min
- Max working pressure 350 bar
- Leakage0,25 cc/min
- Seals NBR
- Cavity C220000
- Cartridge tightening torque..... 30 Nm
- Ring nut tightening torque..... 5 Nm
- Weight (with coil).....0,32 Kg
- Coil **CT-9400** to be ordered separately



Application limits from 2 to 1 and 1 to 2

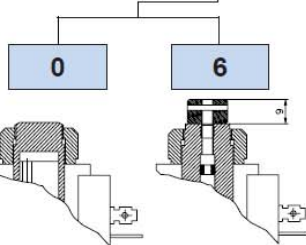
73



Pressure drop from 2 to 1 and from 1 to 2

Ordering code

0 5 1 2 1 0 0 [] 0 0



No emergency Unscrew type