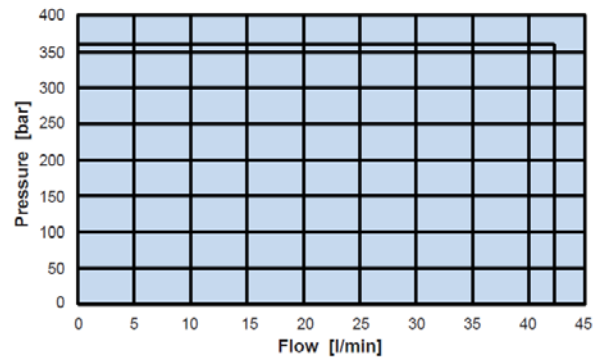
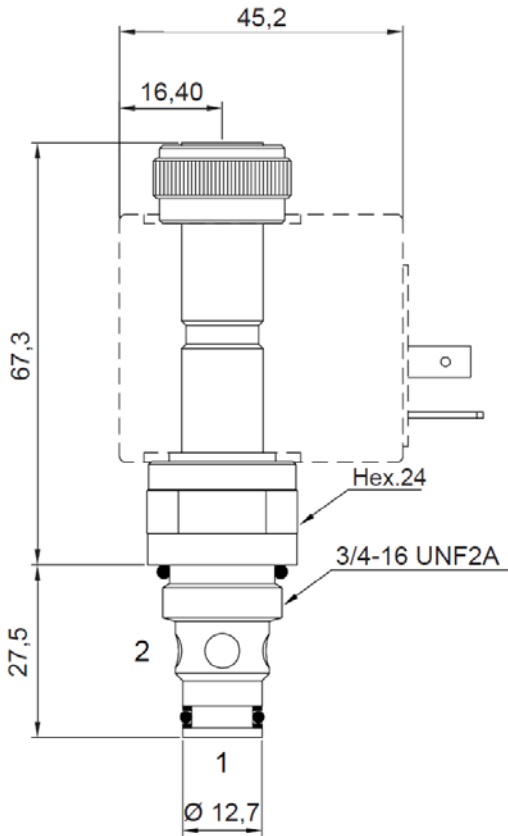
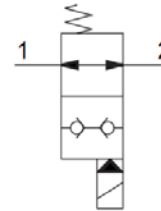


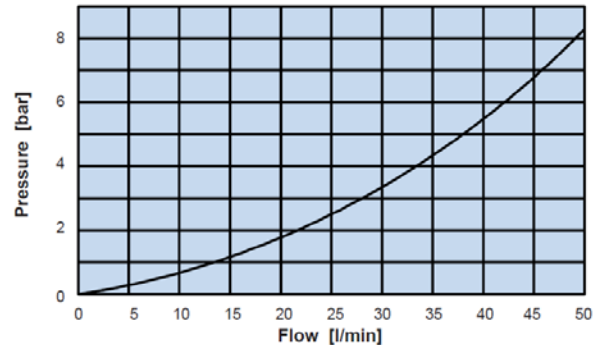
SAE-8 Cartige valve BI-NA

2 WAYS 2 POSITIONS ELECTRIC VALVE, PILOT POPPET OPERATED NO

- Flow 40 l/min
- Max working pressure 350 bar
- Leakage 0,25 cc/min
- Seals NBR
- Cavity C220000
- Cartridge tightening torque 30 Nm
- Ring nut tightening torque 5 Nm
- Weight (with coil) 0,32 Kg
- Coil **CT-9400** to be ordered separately



Application limits from 2 to 1 and 1 to 2



Pressure drop from 2 to 1 and from 1 to 2

Ordering code

0 5 1 2 0 0 0 0 0

