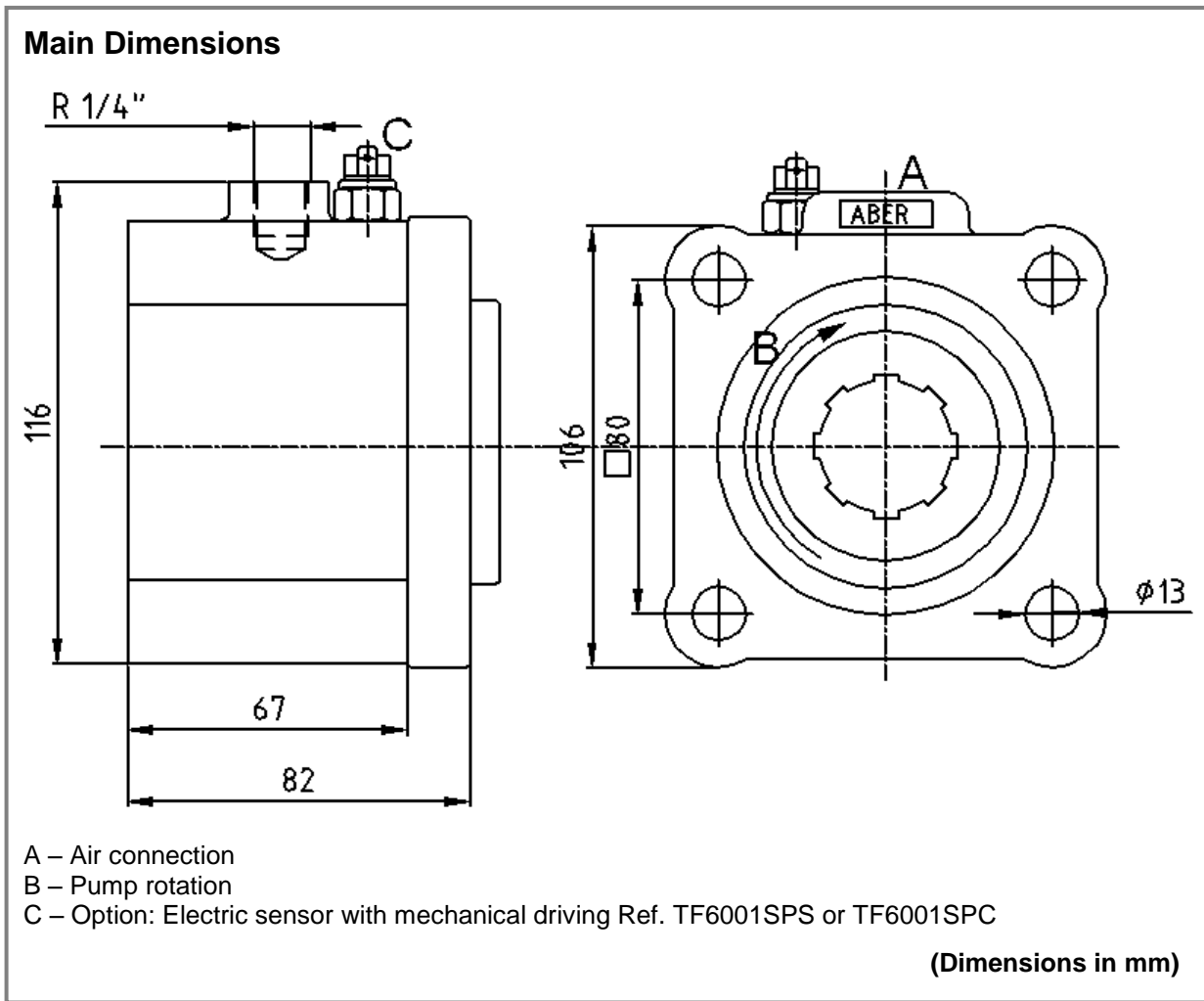




Power Take Offs Relation 1 : 1		Ref. TF6001SP
MAN/VW	007.1	

To apply with Gear Pumps or with Piston Pumps



Main Data	
Continuous Torque (Nm)	300
Intermittent Torque (Nm)	420
Power (at 1000 rpm)	42 cv / 32 kW
Mounting Position	Rear
Pump Rotation	Left Hand
Weight (kg)	4.3
PTO internal ratio	1:1
Indicative ratio from motor to PTO's output	1:0,449

CTI TF6001SP 1211-3

ABER is constantly engaged in improving its products and, therefore, reserves itself the right to modify without any further notice the characteristics shown. The gear boxes are in constant change; therefore, ABER is not to be held responsible for any damage resulting from wrong application or application of outdated material.



ABER - Embraiaagens e Comandos Hidráulicos - A. B. LDA
 Rua Francisco de Almeida, Nº 30 – Vila Nova da Telha – 4470 MAIA - Portugal
 Telephone: +351.22.9438070 Fax: +351.22.9420823 e-mail: aber@aber.pt <http://www.aber.pt>