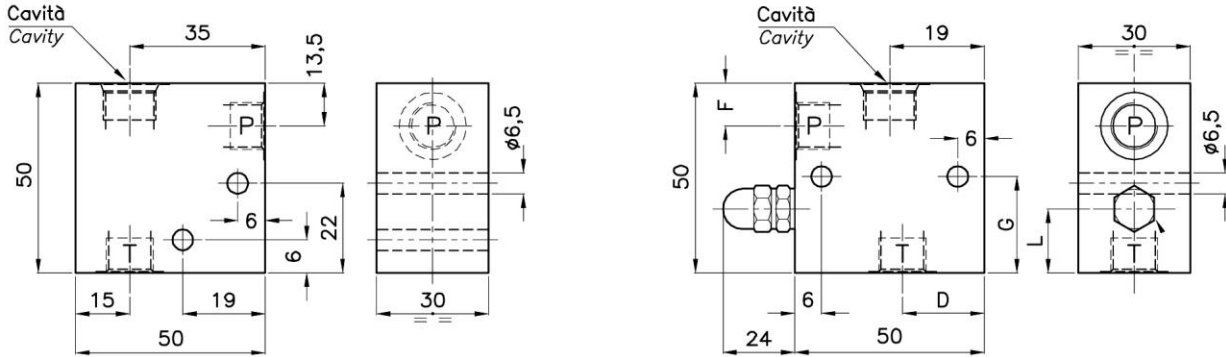


STANDARD ALUMINIUM MANIFOLDS



**DIMENSIONI
DIMENSIONS**

N° COLLETTORE Body Number	Cavità Cavity	Attacchi Port Size T-P GAS (BSPP)	D	F	G	L	Cartuccia Cartridge Vedi Pagina See page	Magnete Coil Vedi Pagina See page
071	CE-011-N (Ø 12.7mm-3/4"16UNF)	1/4"	16	13.5	24	14	1/2/17/18/19/20	
072	CE-011-N (Ø 12.7mm-3/4"16UNF)	3/8"	14	12.5	23.5	13.5	1/2/3/4/5/6/17 18/19/20/21/22	35
578	CE-101-L (Ø 15.87mm-3/4"16UNF)	1/4"	16	12.5	23.5	13.5	1/2/17/18/19/20	36
094	CE-101-L (Ø 15.87mm-3/4"16UNF)	3/8"	14	12.5	23.5	13.5	1/2/17/18/19/20 19/20/21/22	37

**CODICE DI ORDINAZIONE
HOW TO ORDER**

005 071 E 0 1

N° Collettore / Body Number	Emergenza a vite Emergency screw
071	E Emergenza a vite - Emergency screw
072	
578	
094	