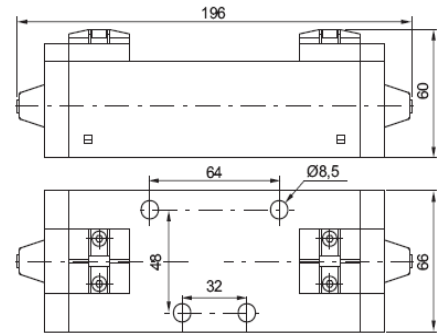


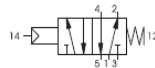
Pneumatic - Spring - 5/2

Ordering code

1013.52.1.9



Weight gr. 1000
Minimum operating pressure 2,5 bar



Operational characteristic	Fluid	Max working pressure (bar)	Temperature °C	Flow rate at 6 bar with $\Delta p=1$ (NI/min)
		Filtered and lubricated air	10	-5 - +50