

PRESA DI FORZA A COMANDO PNEUMATICO

PNEUMATIC CLUTCH POWER TAKE-OFF

CODICE PTO
PTO CODE

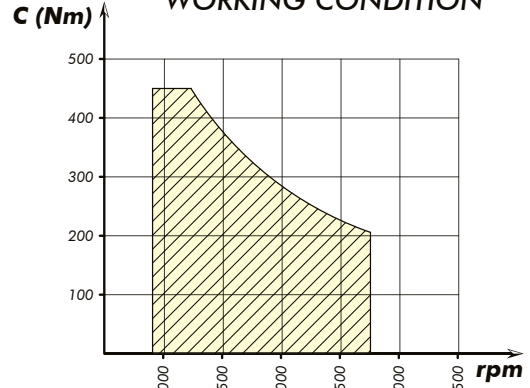
28-26

CAMBIO
GEARBOX

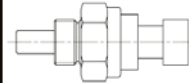
SCANIA



DIAGRAMMA DI UTILIZZO WORKING CONDITION

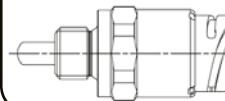


Interruttore segnalazione PTO inserita / PTO pressure signal switch

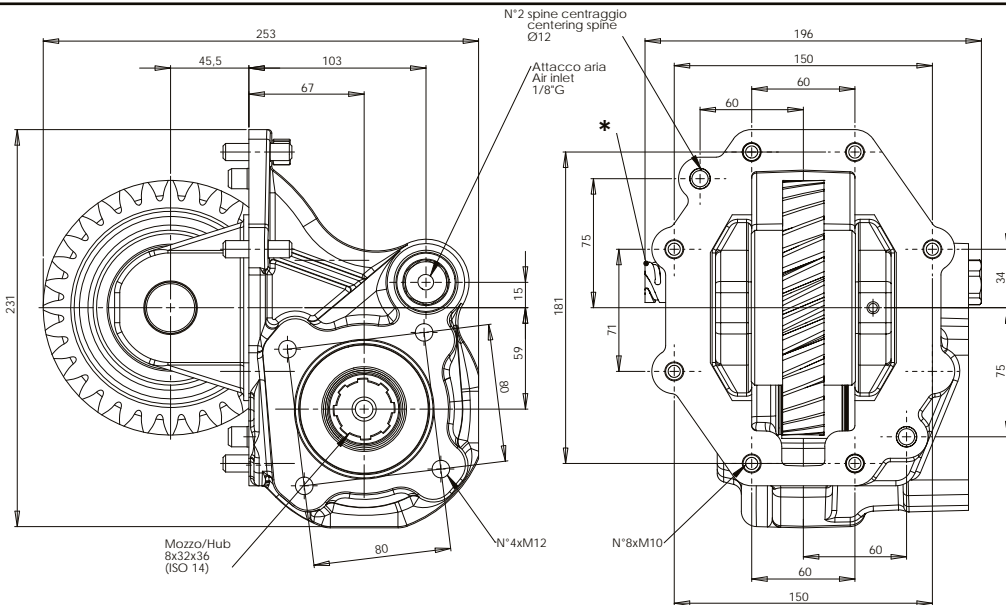


PACKARD
311-001-00116

*
OPTIONAL
Da ordinare separatamente
To be ordered separately



DIN 72585
311-001-00205



Tipo cambio Gearbox	Codice PTO PTO code	Versione Version	Giri pto a 1000 giri motore Pto ratio@1000 eng.rpm		Coppia massima Max torque	Lato montaggio Mounting side	Uscita Output	Rotazione Rotation	Kit di montaggio Mounting kit	Peso Weight
			NORM.	VEL.	Nm					Kg
GR 875 GR 905	28-26-172	17	1227		450	Dx Right	Poster. Rear	Ora. Cw	154-3-3571	17,8
GRS 895 GRS 905			1227	1523						

pag.1



O.M.F.B. S.p.A. Hydraulic Components
We reserve the right to make any changes without notice.
Edition 2010.01 No reproduction, however partial, is permitted.
Via Cave, 7/9 25050 Provaglia d'Iseo (Brescia) Italy Tel.: +39.030.9830611
Fax: +39.030.9839207-208 Internet:www.omfb.it e-mail:info@omfb.it

COMPANY WITH
QUALITY SYSTEM
CERTIFIED BY DNV GL
= ISO 9001 =

UŽSISAKYKITE internetu www.dominga.lt/eshop telefonu +370 52 322231 el. paštu info@dominga.lt