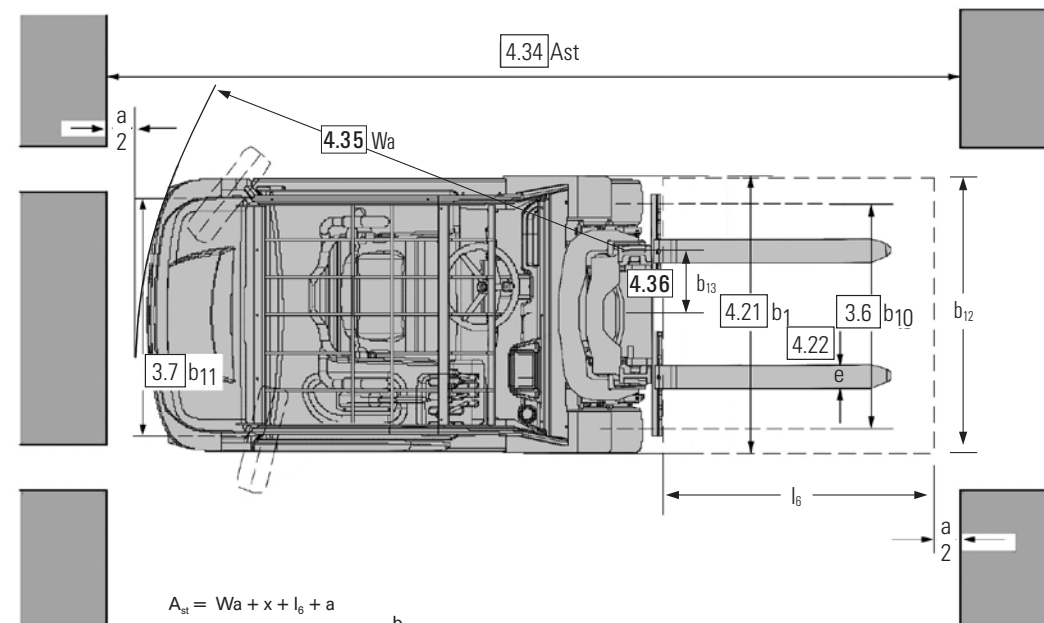
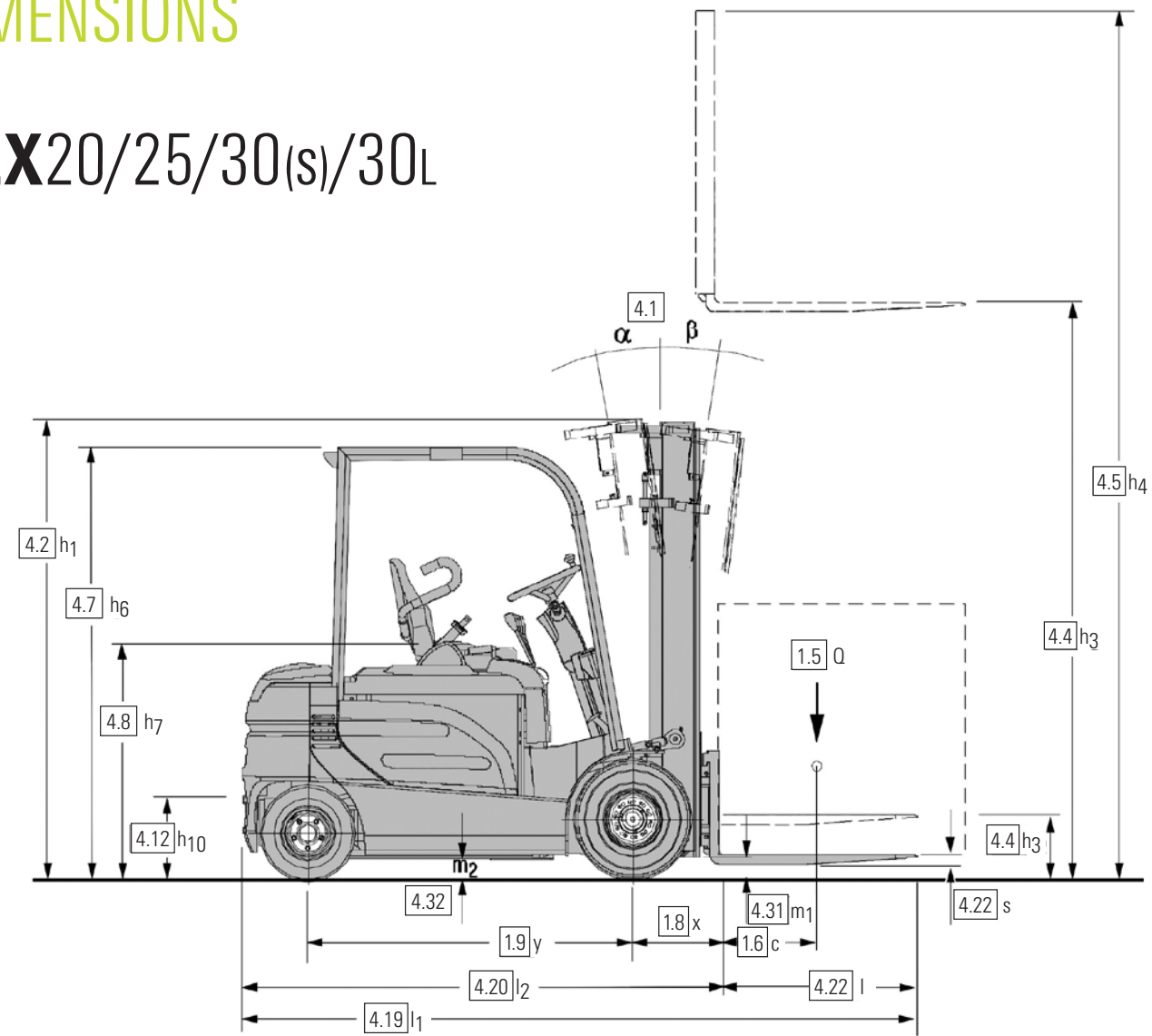


DIMENSIONS

GEX20/25/30(s)/30L



$$A_x = Wa + x + l_6 + a$$

gilt nur bei / applies only if $\frac{b_{12}}{2} < b_{13}$

$$A_x = Wa + \sqrt{(l_6 + x)^2 + \left(\frac{b_{12}}{2} - b_{13}\right)^2} + a$$

gilt nur bei / applies only if $\frac{b_{12}}{2} \geq b_{13}$

a = 200

For corresponding data see Specification Chart.

SPECIFICATIONS

Product Specifications acc. to VDI 2198

1.1 Manufacturer (Abbreviation)		CLARK	CLARK		
Specifications	1.2 Manufacturer's designation	GEX20	GEX25		
	1.3 Drive unit	Elec -80V	Elec -80V		
	1.4 Operator type stand on / driver seated	Rider-seated	Rider-seated		
	1.5 Load capacity / rated load	Q (Kg)	2000	2500	
	1.6 Load centre distance	c (mm)	500	500	
	1.8 Load centre distance, centre of drive axle to fork face	x (mm)	415	415	
	1.9 Wheelbase	y (mm)	1610	1610	
	Weight	2.1 Service weight	kg	4148	4348
		2.2 Axle loading, laden front / rear	kg	5276/872	6107/741
2.3 Axle loading, unladen front / rear		kg	2139/2009	2186/2161	
Tires, Chassis	3.1 Tyre type, SE = superelastic, C = cushion		SE	SE	
	3.2 Tyre size, front, superelastic		23x9-10	23x9-10	
	3.3 Tyre size, rear, superelastic		18x7-8	18x7-8	
	3.5 Wheels, number front/rear (x = drive wheels)		2x/2	2x/2	
	3.6 Tread, front SE (C)	b ₁₀ (mm)	1005	1005	
	3.7 Tread, rear	b ₁₁ (mm)	989	989	
	Dimensions	4.1 Tilt of upright/fork carriage, a / b	deg	8/8	8/8
4.2 Height, upright lowered		h ₁ (mm)	2165	2165	
4.3 Freelif		h ₂ (mm)	110	110	
4.4 Lift height *1		h ₃ (mm)	3195	3195	
4.5 Height, upright extended (with load backrest)		h ₄ (mm)	4414	4414	
4.7 Height overheadguard (Cabin)		h ₆ (mm)	2148 (2198)	2148 (2198)	
4.8 Seat height		h ₇ (mm)	1125	1125	
4.12 Coupling height		h ₁₀ (mm)	420	420	
4.19 Overall length		l ₁ (mm)	3410	3410	
4.20 Length to face of forks		l ₂ (mm)	2343	2343	
4.21 Width		b ₁ , b ₂ (mm)	1230	1230	
4.22 Fork dimensions		s • e • l (mm)	45x100x1067	45x100x1067	
4.23 Fork carriage DIN 15173, A, B			II A	II A	
4.24 Fork carriage width		b ₃ (mm)	1040	1040	
Performance	4.31 Ground clearance minimum, laden	m ₁ (mm)	135	135	
	4.32 Ground clearance centre of wheelbase	m ₂ (mm)	114	114	
	4.34 Stacking aisle for pallets (l6 • b12) 1000 x 1200 across	Ast(mm)	3630	3630	
	4.34 Stacking aisle for pallets (l6 • b12) 800 x 1200 along	Ast(mm)	3770	3770	
	4.35 Turning radius	Wa(mm)	1925	1925	
	4.36 Internal turning radius	b ₁₃ (mm)	86	86	
	5.1 Travel speed laden/unladen	km/h	18/18	18/18	
	5.2 Lift speed laden/unladen	m/s	0.48/0.54	0.41/0.54	
	5.3 Lowering speed laden/unladen	m/s	0.47/0.43	0.47/0.43	
	5.6 Max. drawbar pull laden/unladen (S2 5 min) *2	N	20231/10297	20427/10562	
5.8 max. gradeability laden/unladen (S2 5 min) *2	%	35.9/25.3	32.2/24.7		
5.10 Service brake		Wet disc brake	Wet disc brake		
Drive line	6.1 Drive motor rating (S2 60 min)	kW	2x7.8	2x7.8	
	6.2 Lift motor rating (S3 15%)	kW	19,1	19,1	
	6.3 Battery acc. to DIN43531/35/36		DIN 43531A	DIN 43531A	
	6.4 Battery voltage, nominal capacity K _s	V/Ah	80/620	80/620	
	6.5 Battery weight (min)	kg	1558	1558	
Miscellaneous	8.1 Type of control		AC / Inverter	AC / Inverter	
	8.2 Operating pressure for attachments	kg/cm ²	140	140	
	8.4 Sound level, driver's ear *3	dB (A)	73	73	

*1 Further lift heights see upright table
 *2 At friction coefficient μ=0.8 with 1.6 km/h
 *3 acc. to DIN EN 12053

All values shown are for standard lift truck with standard equipment. If the truck is supplied with options, values may change. All values given may vary +5% and -10% due to the motor and system tolerances and represent nominal values obtained under typical operating conditions. Specifications for Non-emission limited truck.

Product Specifications acc. to VDI 2198

1.1 Manufacturer (Abbreviation)		CLARK	CLARK	CLARK		
Specifications	1.2 Manufacturer's designation	GEX30s	GEX30	GEX30L		
	1.3 Drive unit	Elec -80V	Elec -80V	Elec -80V		
	1.4 Operator type stand on / driver seated	Rider-seated	Rider-seated	Rider-seated		
	1.5 Load capacity / rated load	Q (Kg)	3000	3000	3000	
	1.6 Load centre distance	c (mm)	500	500	600	
	1.8 Load centre distance, centre of drive axle to fork face	x (mm)	420	420	435	
	1.9 Wheelbase	y (mm)	1610	1750	1750	
	Weight	2.1 Service weight	kg	4581	4382	4952
		2.2 Axle loading, laden front / rear	kg	6904/677	6805/577	7214/738
2.3 Axle loading, unladen front / rear		kg	2190/2391	2228/2154	2439/2513	
Tires, Chassis	3.1 Tyre type, SE = superelastic, C = cushion		SE	SE	SE	
	3.2 Tyre size, front, superelastic		23x9-10	23x9-10	23x9-10	
	3.3 Tyre size, rear, superelastic		18x7-8	18x7-8	18x7-8	
	3.5 Wheels, number front/rear (x = drive wheels)		2x/2	2x/2	2x/2	
	3.6 Tread, front SE (C)	b ₁₀ (mm)	1005	1005	1005	
	3.7 Tread, rear	b ₁₁ (mm)	989	989	989	
	Dimensions	4.1 Tilt of upright/fork carriage, a / b	deg	8/8	8/8	
4.2 Height, upright lowered		h ₁ (mm)	2165	2165	2165	
4.3 Freelif		h ₂ (mm)	110	110	115	
4.4 Lift height *1		h ₃ (mm)	3195	3195	3195	
4.5 Height, upright extended (with load backrest)		h ₄ (mm)	4414	4414	4409	
4.7 Height overheadguard (Cabin)		h ₆ (mm)	2148 (2198)	2148 (2198)	2148 (2198)	
4.8 Seat height		h ₇ (mm)	1125	1125	1125	
4.12 Coupling height		h ₁₀ (mm)	420	420	420	
4.19 Overall length		l ₁ (mm)	3415	3547	3562	
4.20 Length to face of forks		l ₂ (mm)	2348	2480	2495	
4.21 Width		b ₁ , b ₂ (mm)	1230	1230	1230	
4.22 Fork dimensions		s • e • l (mm)	45x122x1067	45x122x1067	50x122x1067	
4.23 Fork carriage DIN 15173, A, B			III A	III A	III A	
4.24 Fork carriage width		b ₃ (mm)	1040	1040	1040	
Performance	4.31 Ground clearance minimum, laden	m ₁ (mm)	135	135	135	
	4.32 Ground clearance centre of wheelbase	m ₂ (mm)	114	114	114	
	4.34 Stacking aisle for pallets (l6 • b12) 1000 x 1200 across	Ast(mm)	3635	3806	3820	
	4.34 Stacking aisle for pallets (l6 • b12) 800 x 1200 along	Ast(mm)	3775	3942	3957	
	4.35 Turning radius	Wa(mm)	1925	2087	2087	
	4.36 Internal turning radius	b ₁₃ (mm)	86	61	61	
	5.1 Travel speed laden/unladen	km/h	18/18	18/18	18/18	
	5.2 Lift speed laden/unladen	m/s	0.38/0.50	0.38/0.50	0.38/0.50	
	5.3 Lowering speed laden/unladen	m/s	0.47/0.43	0.47/0.43	0.47/0.43	
	5.6 Max. drawbar pull laden/unladen (S2 5 min) *2	N	20536/10623	20574/10827	0462/11871	
5.8 max. gradeability laden/unladen (S2 5 min) *2	%	28.1/23.8	29.6/25	26.6/24.5		
5.10 Service brake		Wet disc brake	Wet disc brake	Wet disc brake		
Drive line	6.1 Drive motor rating (S2 60 min)	kW	2x7.8	2x7.8	2x7.8	
	6.2 Lift motor rating (S3 15%)	kW	19,1	19,1	19,1	
	6.3 Battery acc. to DIN43531/35/36		DIN 43531A	DIN 43531A	DIN 43531A	
	6.4 Battery voltage, nominal capacity K _s	V/Ah	80/620	80/775	80/775	
	6.5 Battery weight (min)	kg	1558	1863	1863	
Miscellaneous	8.1 Type of control		AC / Inverter	AC / Inverter		
	8.2 Operating pressure for attachments	kg/cm ²	140	140		
	8.4 Sound level, driver's ear *3	dB (A)	73	73		

*1 Further lift heights see upright table
 *2 At friction coefficient μ=0.8 with 1.6 km/h
 *3 acc. to DIN EN 12053